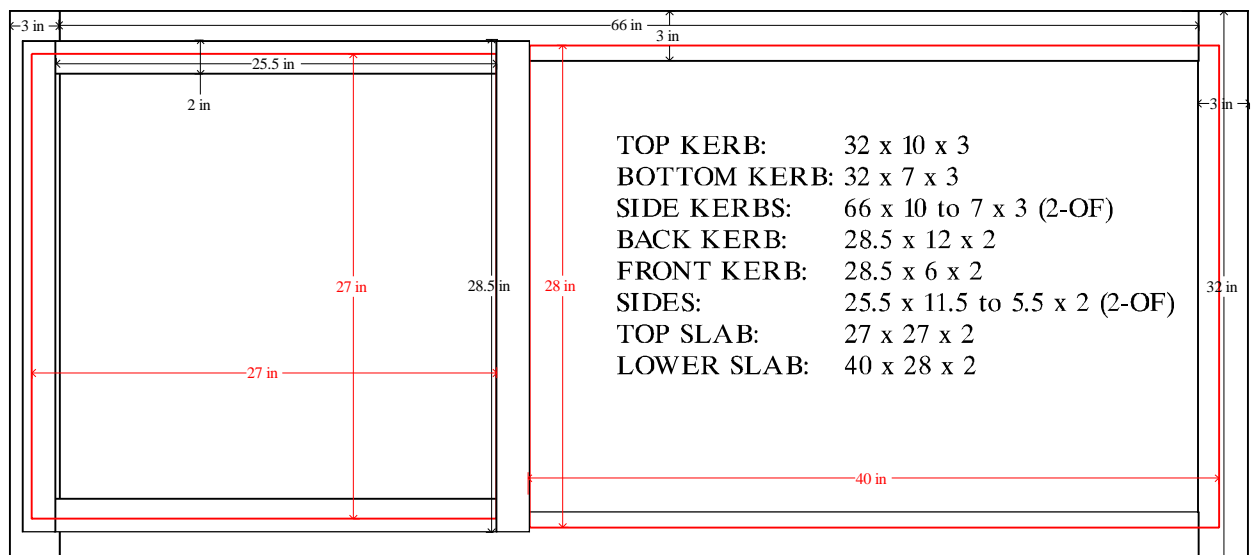
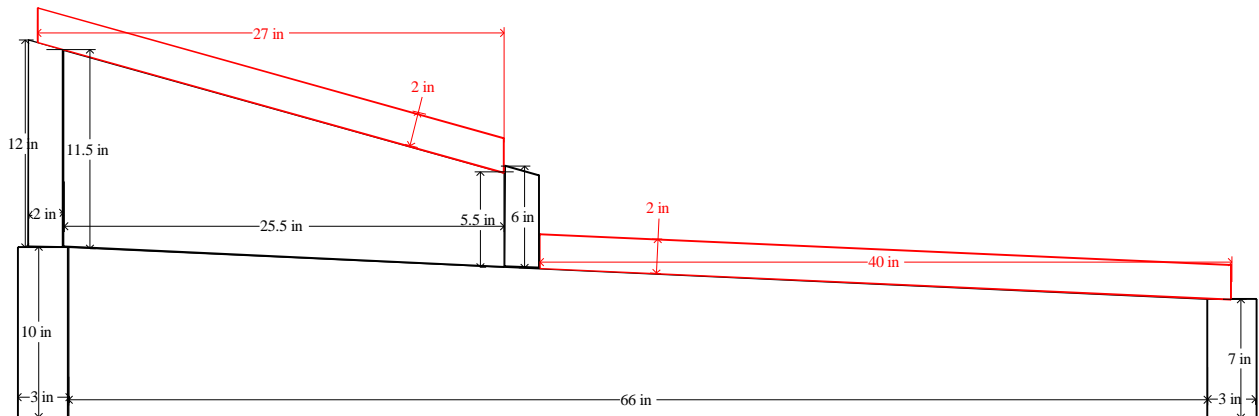


J1 - SLOPED KERBS AND SLABS (FLAT EDGES OR BULLNOSE)

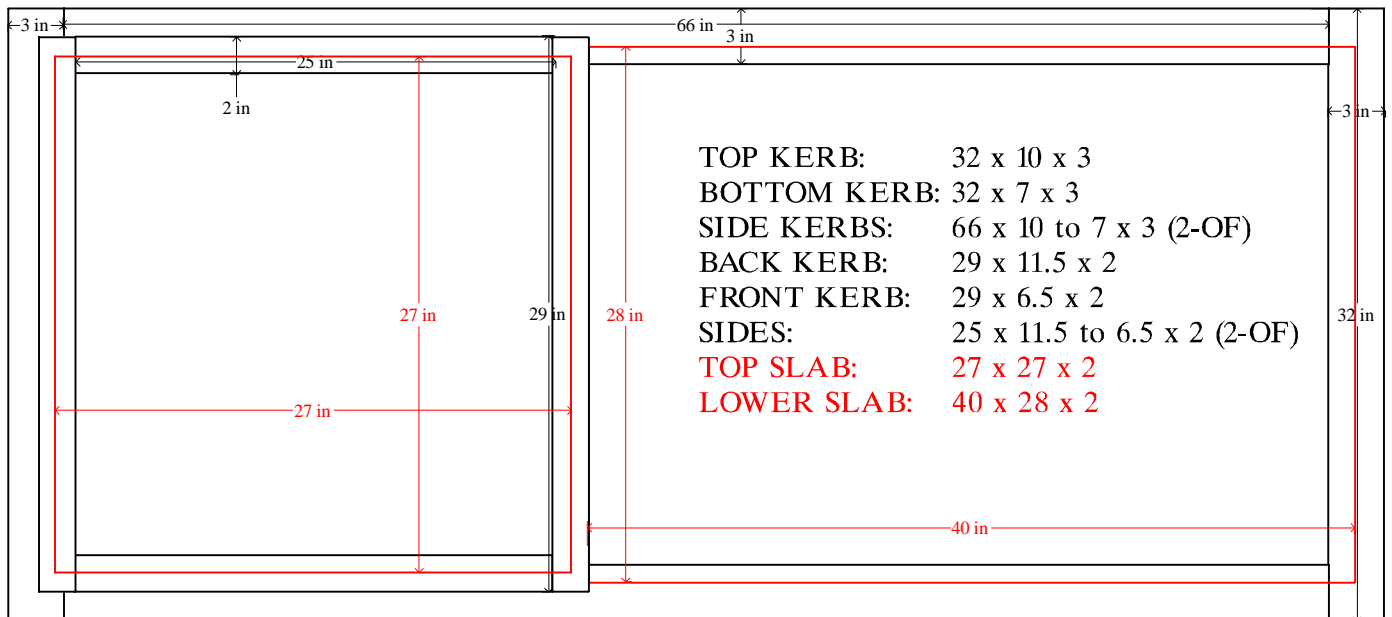
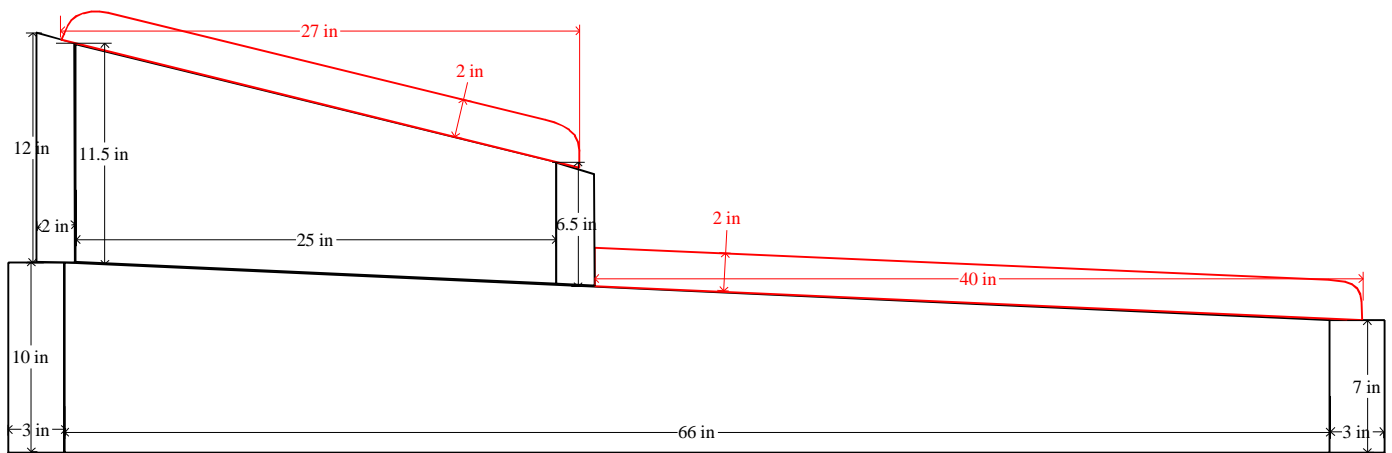
Print-out dated 23. 3. 2016



- TOP KERB: 32 x 10 x 3
- BOTTOM KERB: 32 x 7 x 3
- SIDE KERBS: 66 x 10 to 7 x 3 (2-OF)
- BACK KERB: 28.5 x 12 x 2
- FRONT KERB: 28.5 x 6 x 2
- SIDES: 25.5 x 11.5 to 5.5 x 2 (2-OF)
- TOP SLAB: 27 x 27 x 2
- LOWER SLAB: 40 x 28 x 2

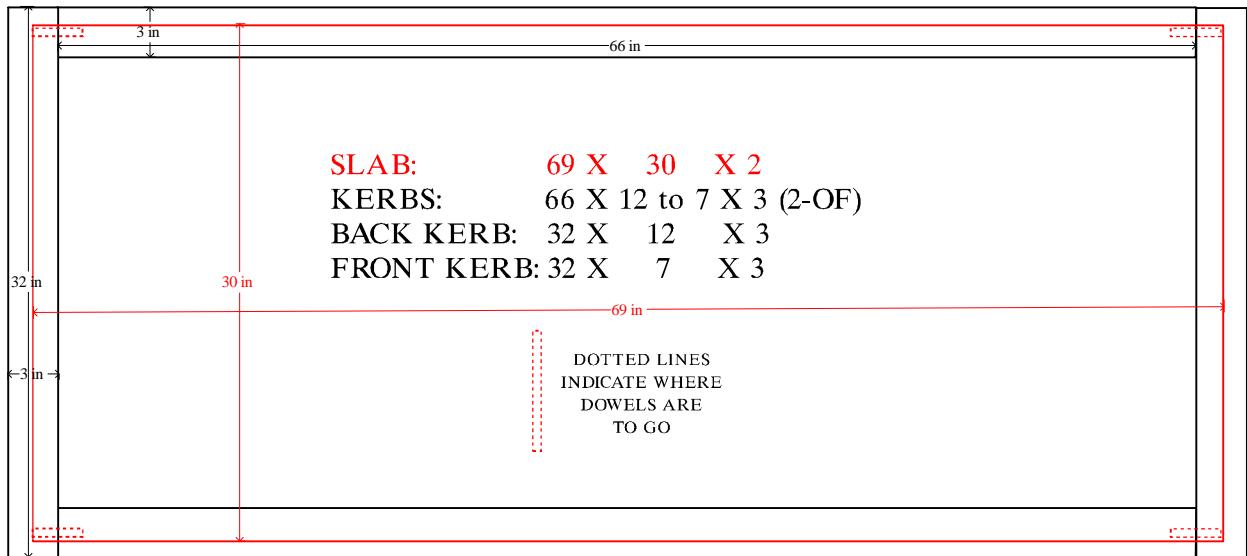
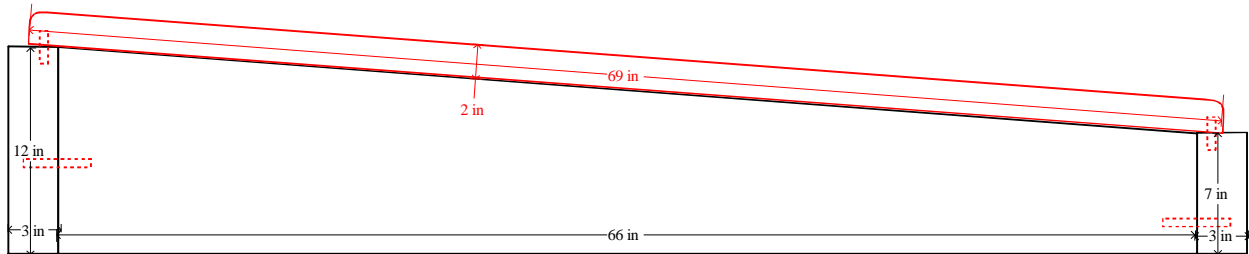
**J1a - SLOPED KERBS AND SLABS (BULLNOSE EDGES)**

Print-out dated 23. 3. 2016

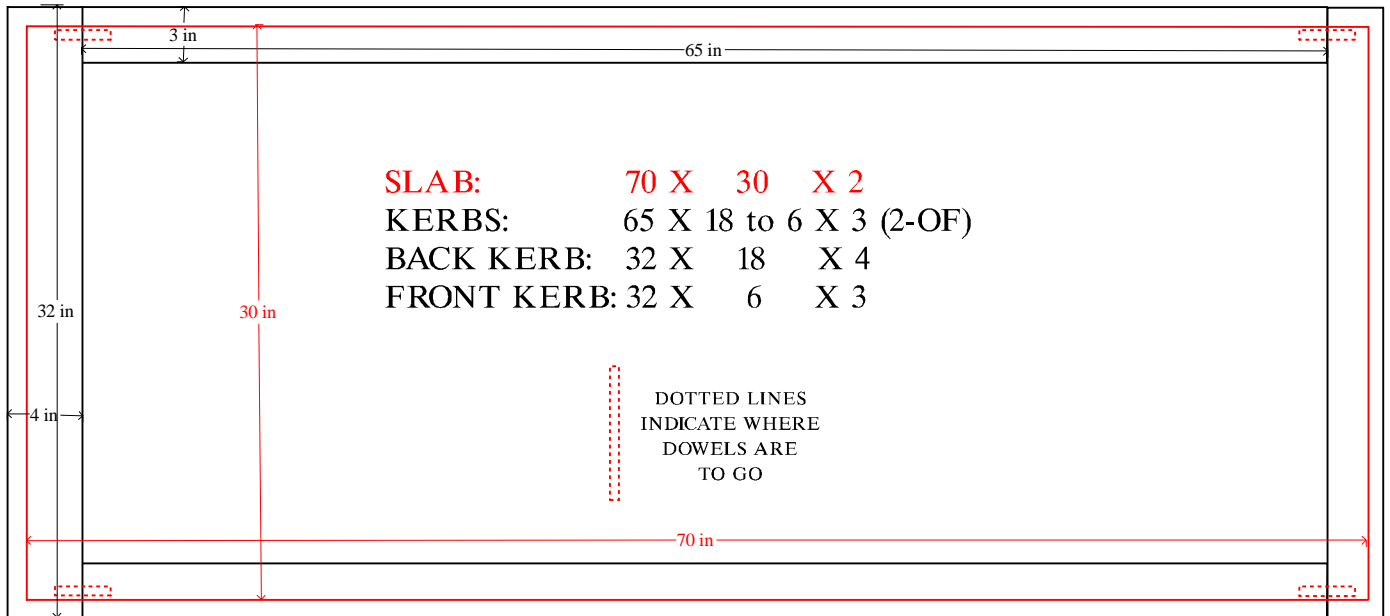
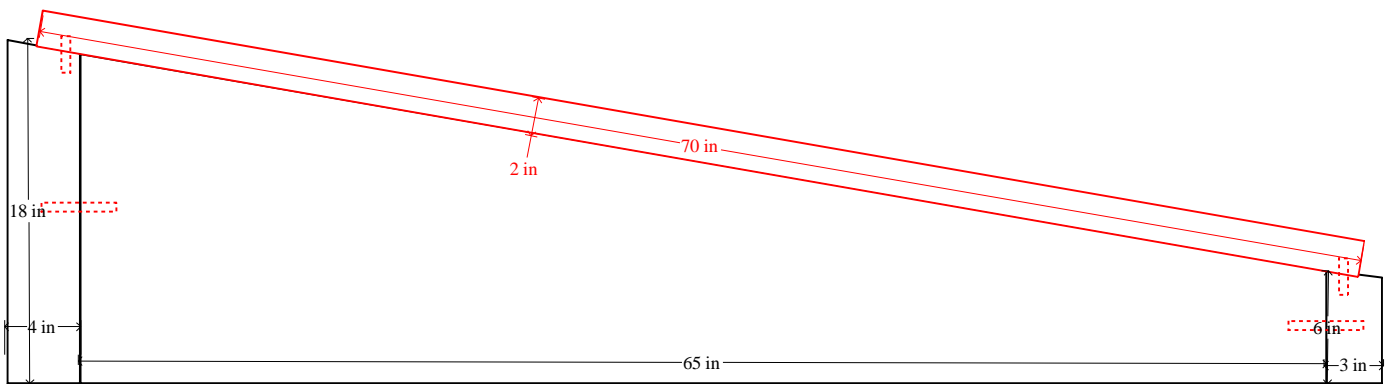


**J2 - SLOPED KERBS AND SLAB (BULLNOSE)**

Print-out dated 23. 3. 2016

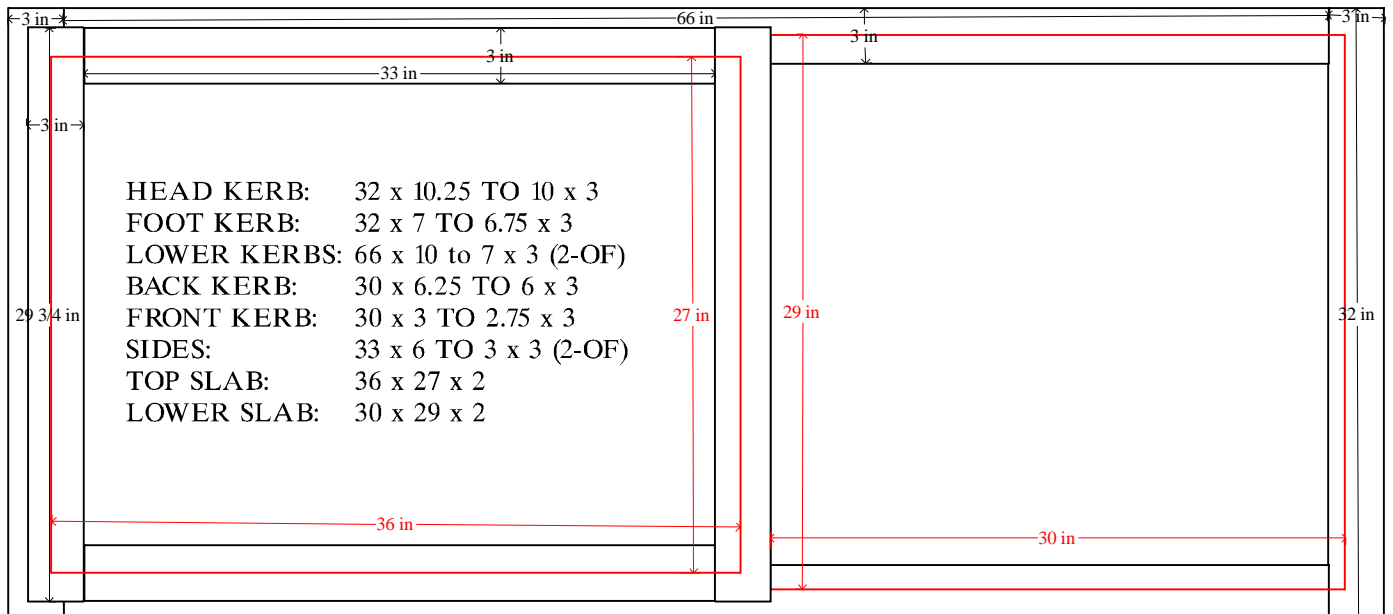
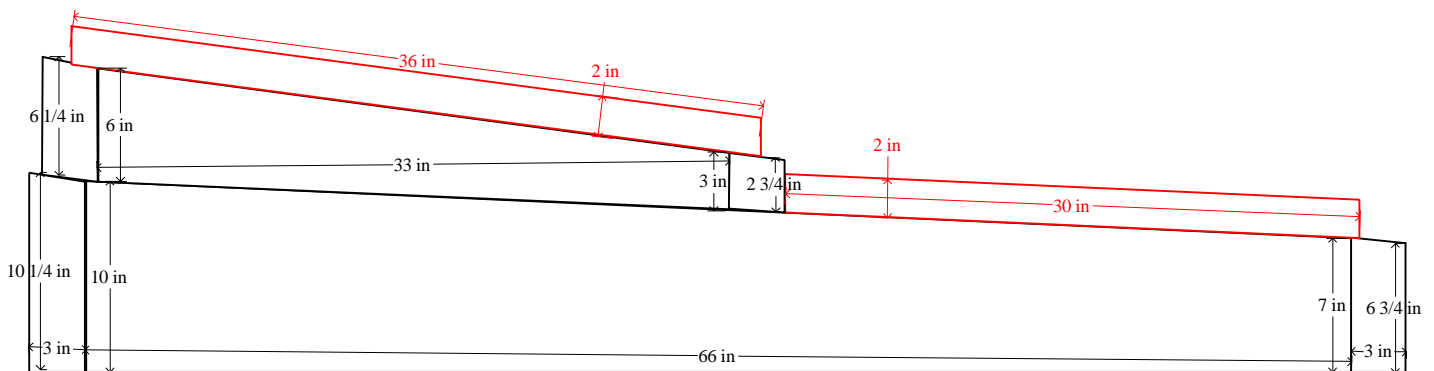


**J2a - SLOPED (STEEP) KERBS AND SLAB**
  
 Print-out dated 23. 3. 2016



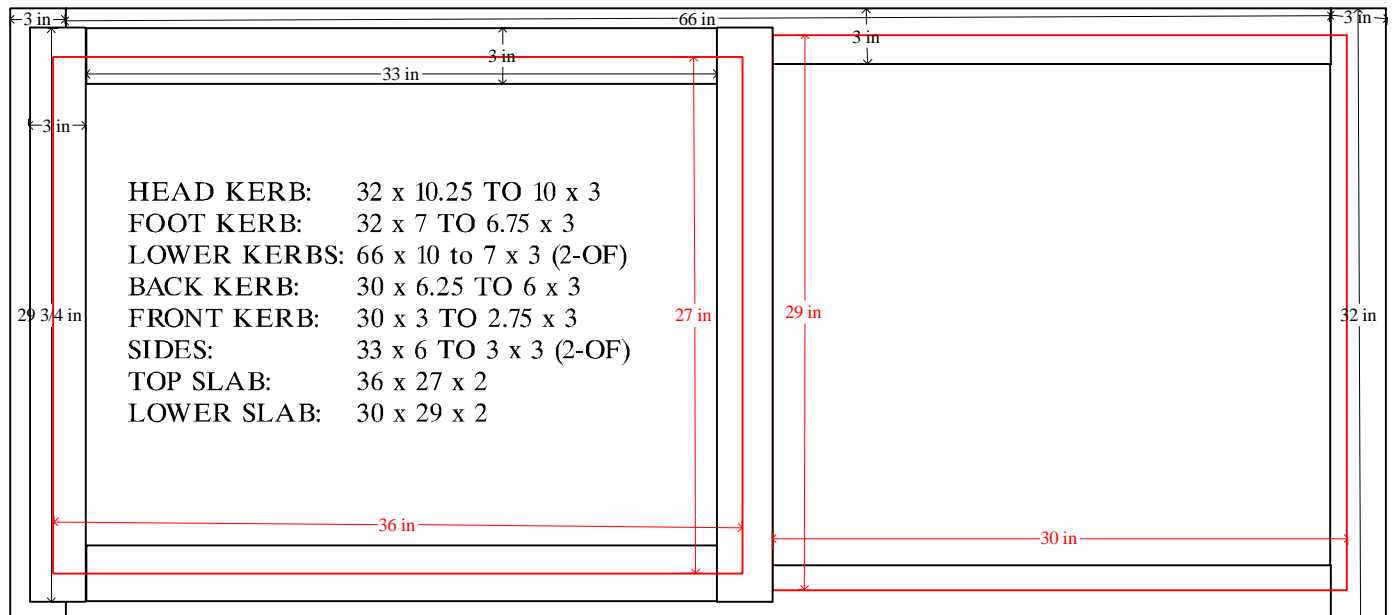
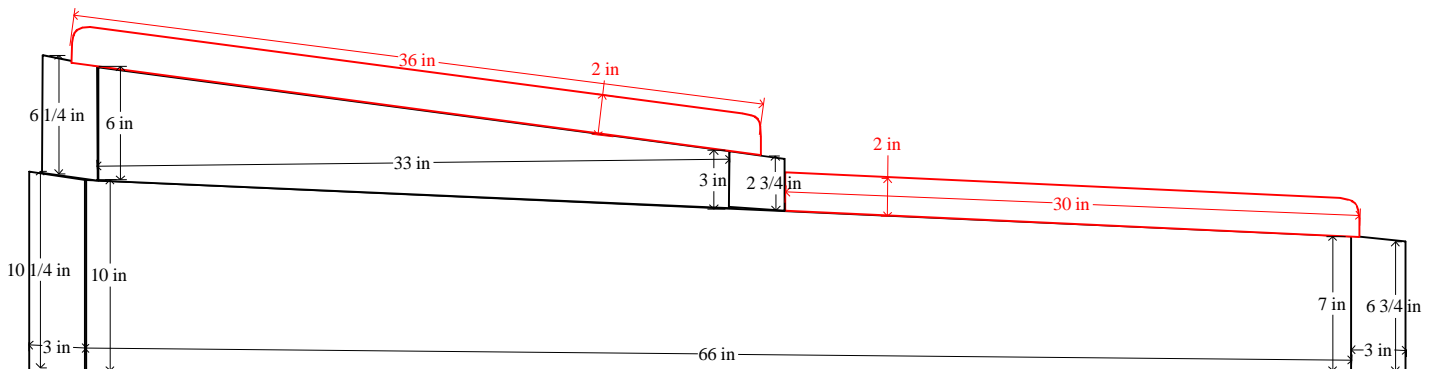
### J3 - SLOPED KERBS AND SLABS (FLAT EDGES)

Print-out dated 23. 3. 2016



J3a - SLOPED KERBS AND SLABS (BULLNOSE EDGES)

Print-out dated 23. 3. 2016

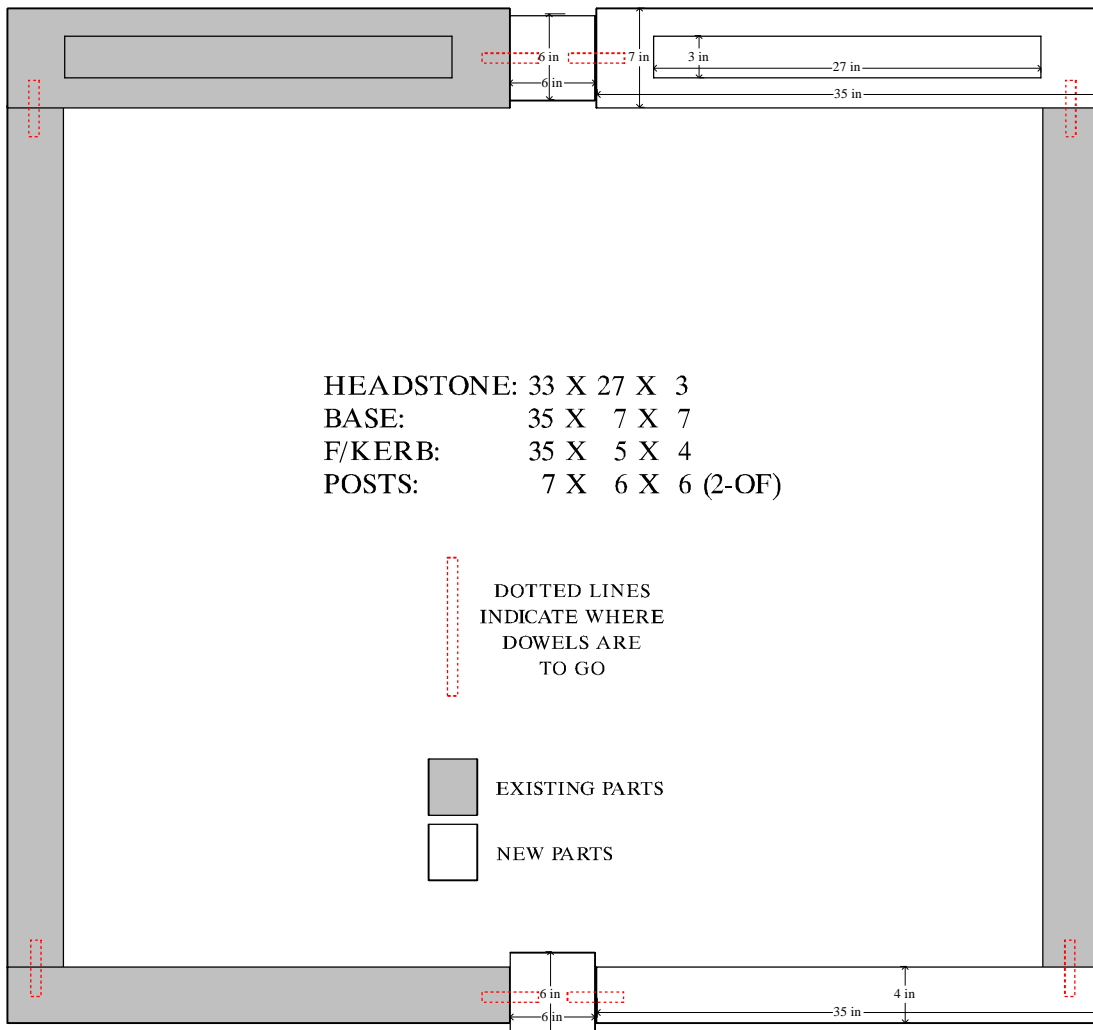
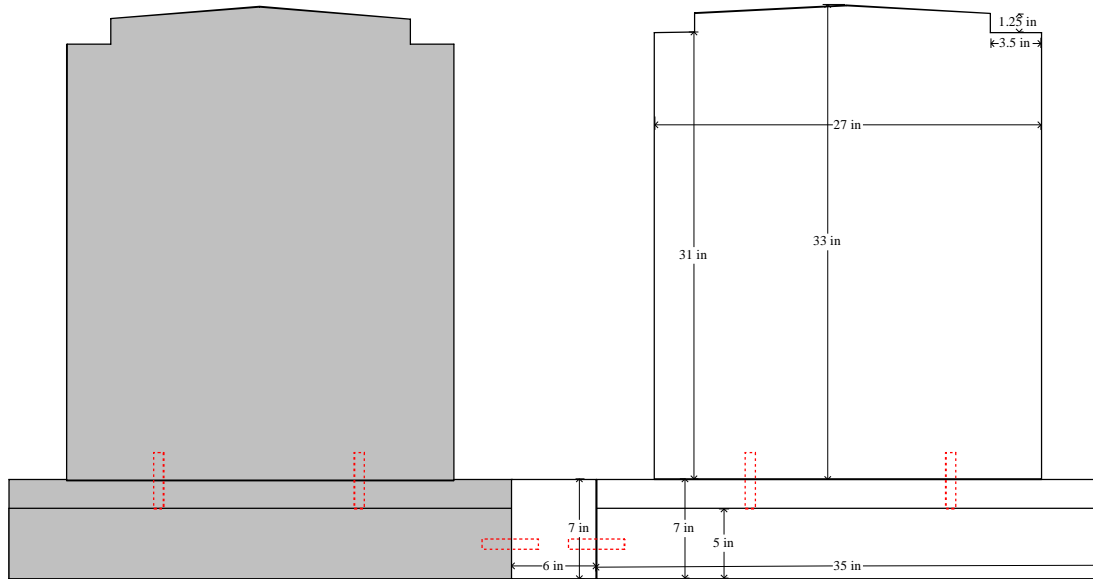


**MEMORIAL WHOLESALE DIVISION  
 SPECIFICATION SHEET**

**J4 EXTENSION - DOUBLE PLOT (VARIOUS TOPS)**

Print-out dated 23. 3. 2016

Various Tops Available



HEADSTONE: 33 X 27 X 3  
 BASE: 35 X 7 X 7  
 F/KERB: 35 X 5 X 4  
 POSTS: 7 X 6 X 6 (2-OF)

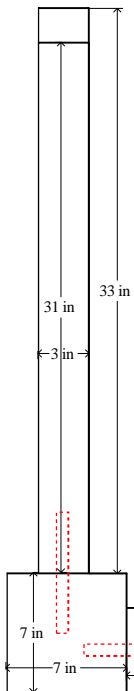
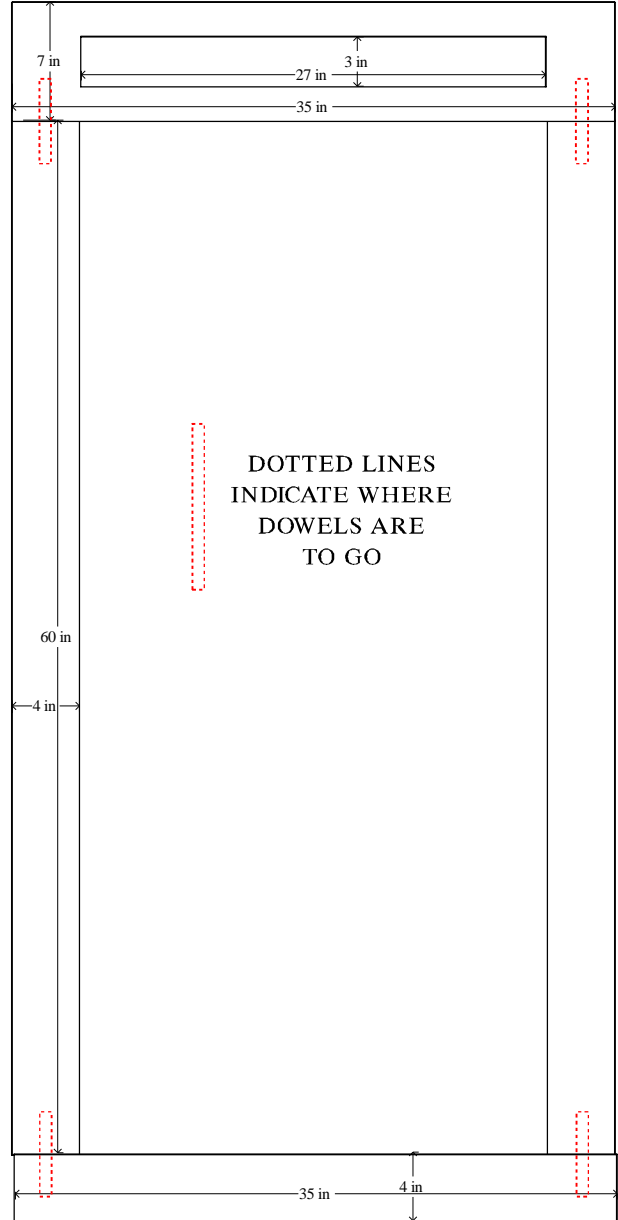
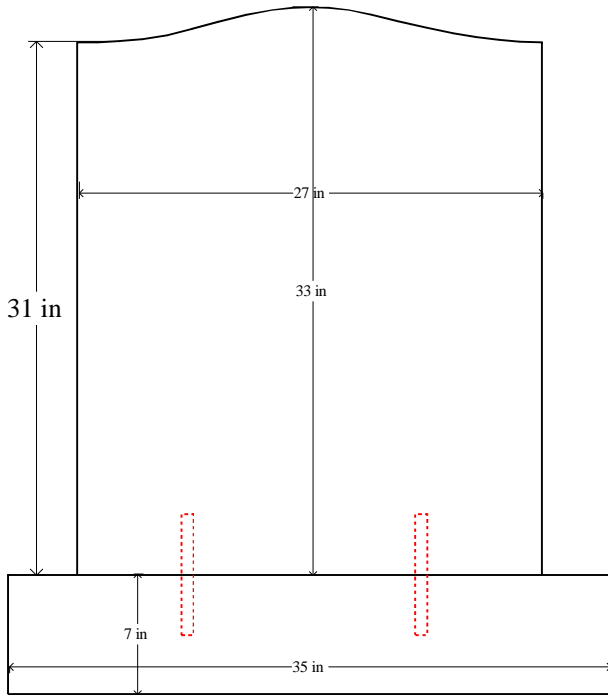
DOTTED LINES  
 INDICATE WHERE  
 DOWELS ARE  
 TO GO

EXISTING PARTS  
 NEW PARTS

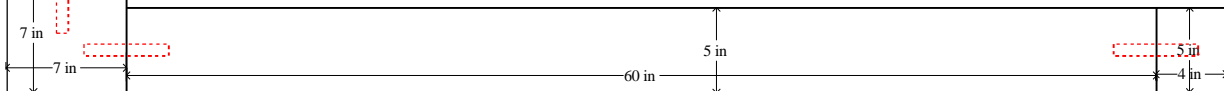
# J4 - VARIOUS TOPS

Print-out dated 23. 3. 2016

## Various Tops Available



**HEADSTONE:** 33 X 27 X 3  
**BASE:** 35 X 7 X 7  
**KERBS:** 60 X 5 X 4 (2-OF)  
**KERB:** 35 X 5 X 4

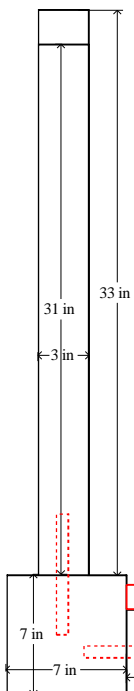
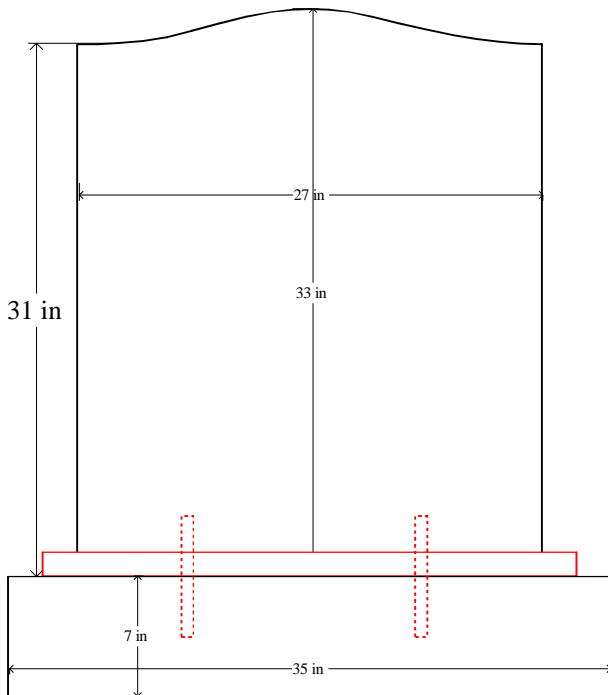




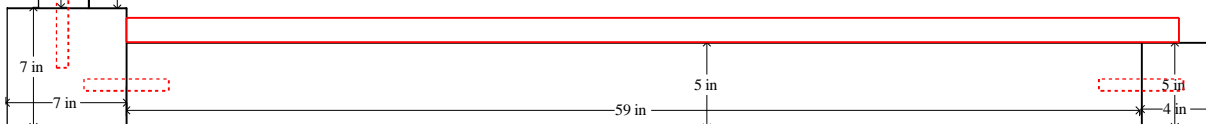
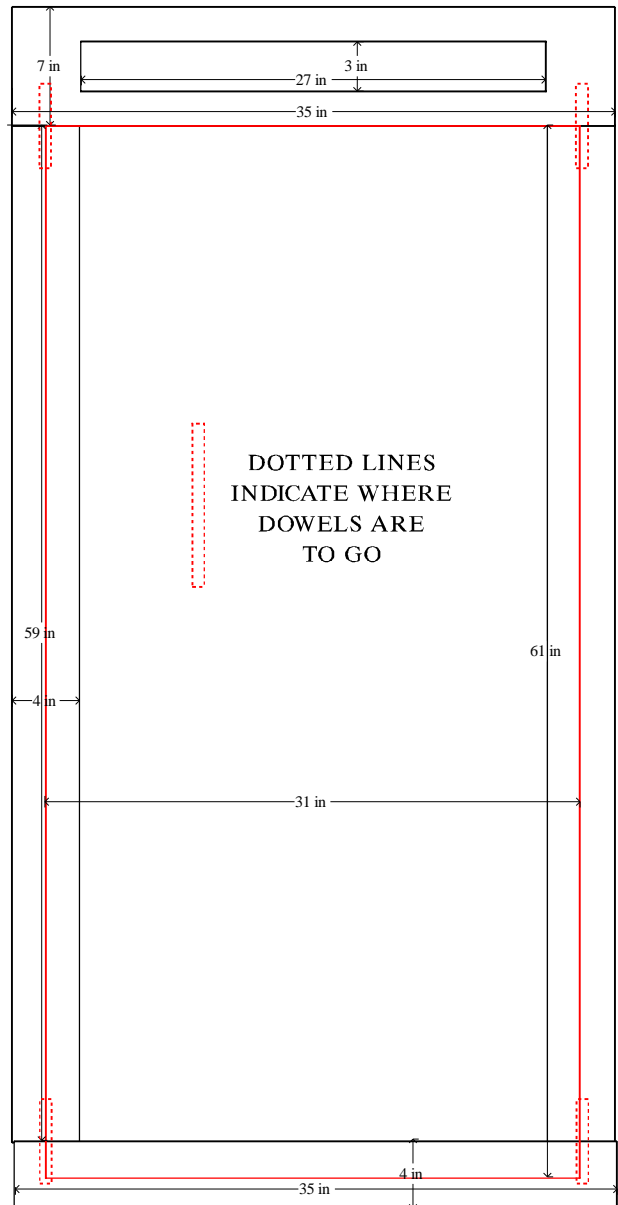
## J6 - VARIOUS TOPS WITH COVER

Print-out dated 23. 3. 2016

### Various Tops Available



HEADSTONE: 33 X 27 X 3  
 BASE: 35 X 7 X 7  
 KERBS: 59 X 5 X 4 (2-OF)  
 KERB: 35 X 5 X 4  
 SLAB: 61 X 31 X 1.5

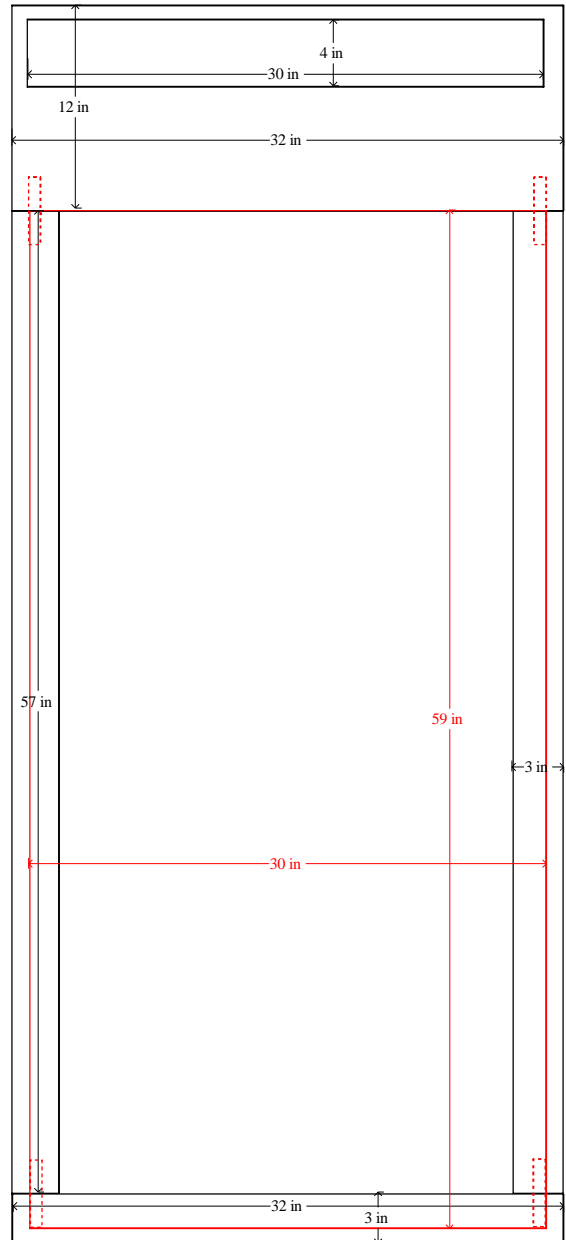
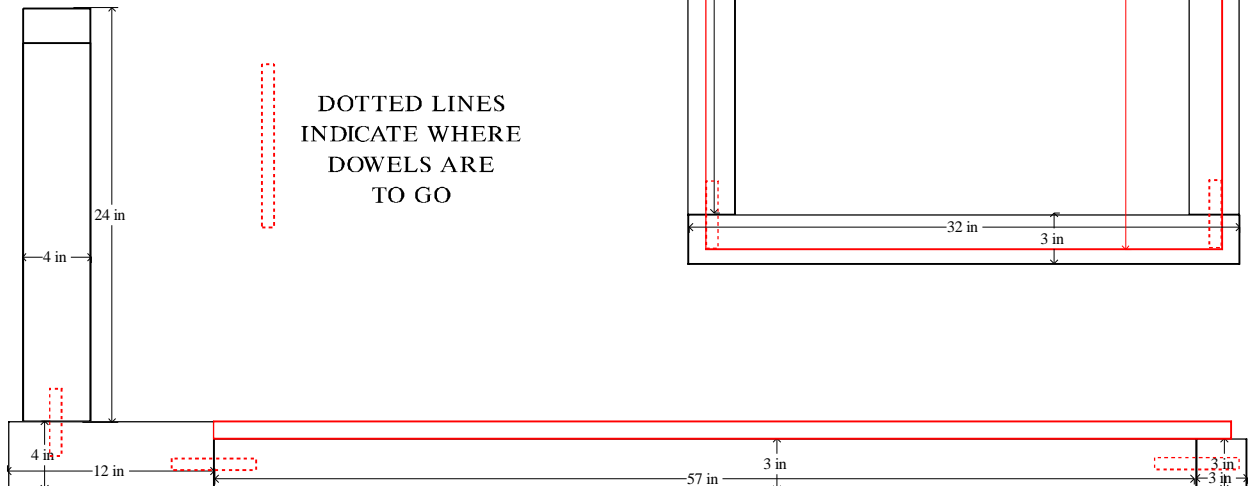
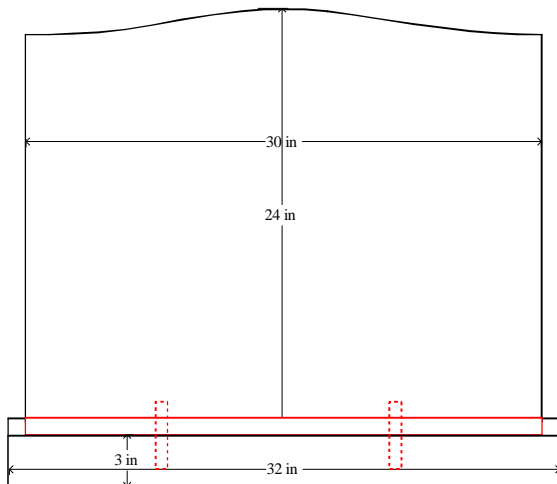


## J6a - VARIOUS TOPS WITH COVER

Print-out dated 23. 3. 2016  
(Harrogate)

HEADSTONE: 24 X 30 X 4  
BASE: 32 X 12 X 4  
KERBS: 57 X 3 X 3 (2-OF)  
KERB: 32 X 3 X 3  
SLAB: 59 X 30 X 1

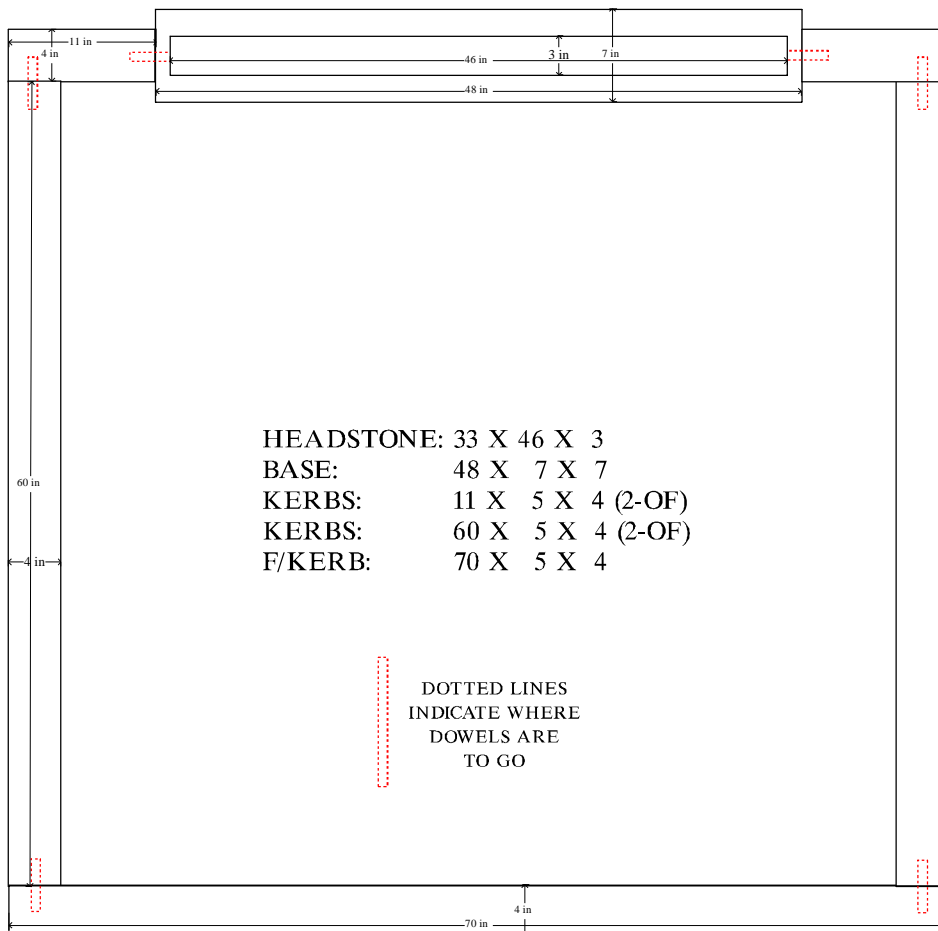
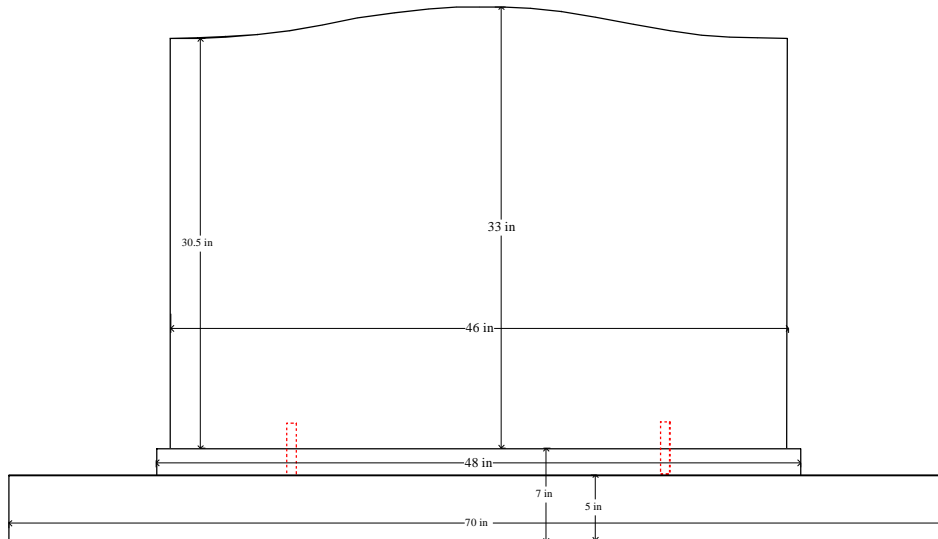
### Various Tops Available



# J8 - VARIOUS TOPS (7" BASE)

Print-out dated 23. 3. 2016

Various Tops Available



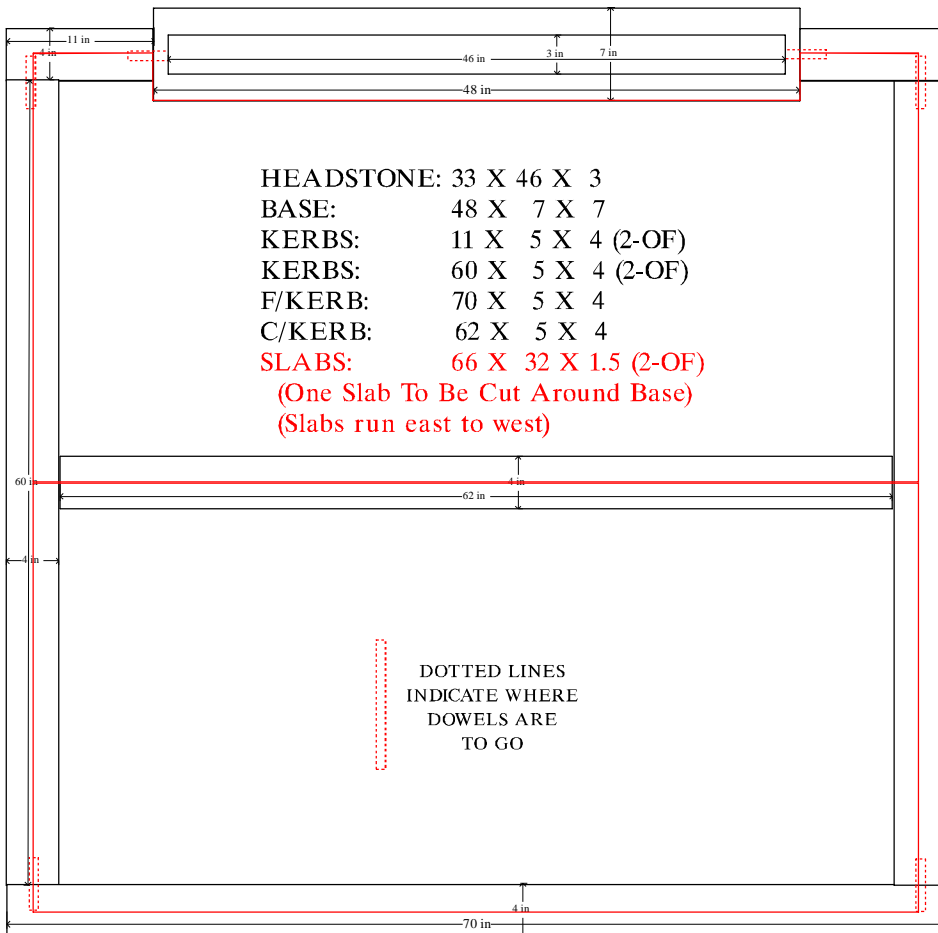
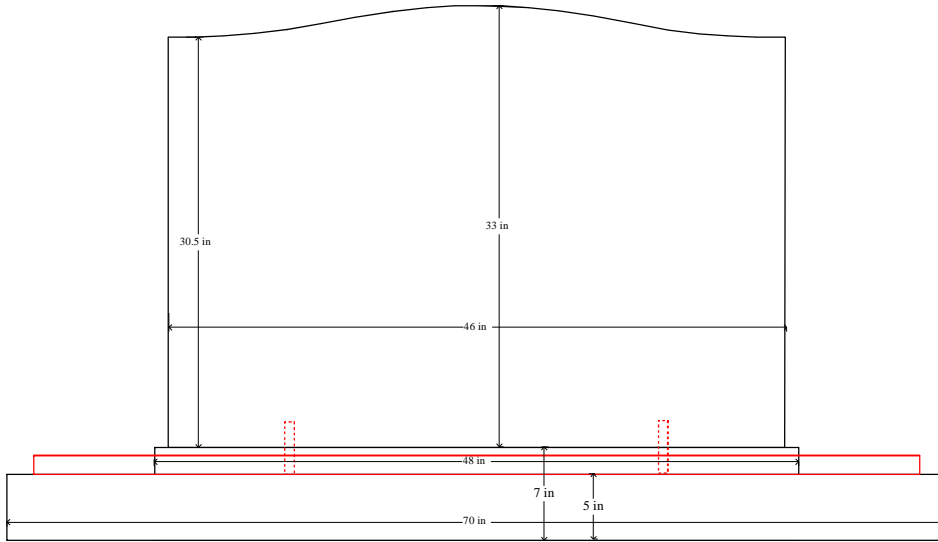
HEADSTONE: 33 X 46 X 3  
 BASE: 48 X 7 X 7  
 KERBS: 11 X 5 X 4 (2-OF)  
 KERBS: 60 X 5 X 4 (2-OF)  
 F/KERB: 70 X 5 X 4

DOTTED LINES  
 INDICATE WHERE  
 DOWELS ARE  
 TO GO

**J8a - VARIOUS TOPS (7" BASE)**

Print-out dated 23. 3. 2016

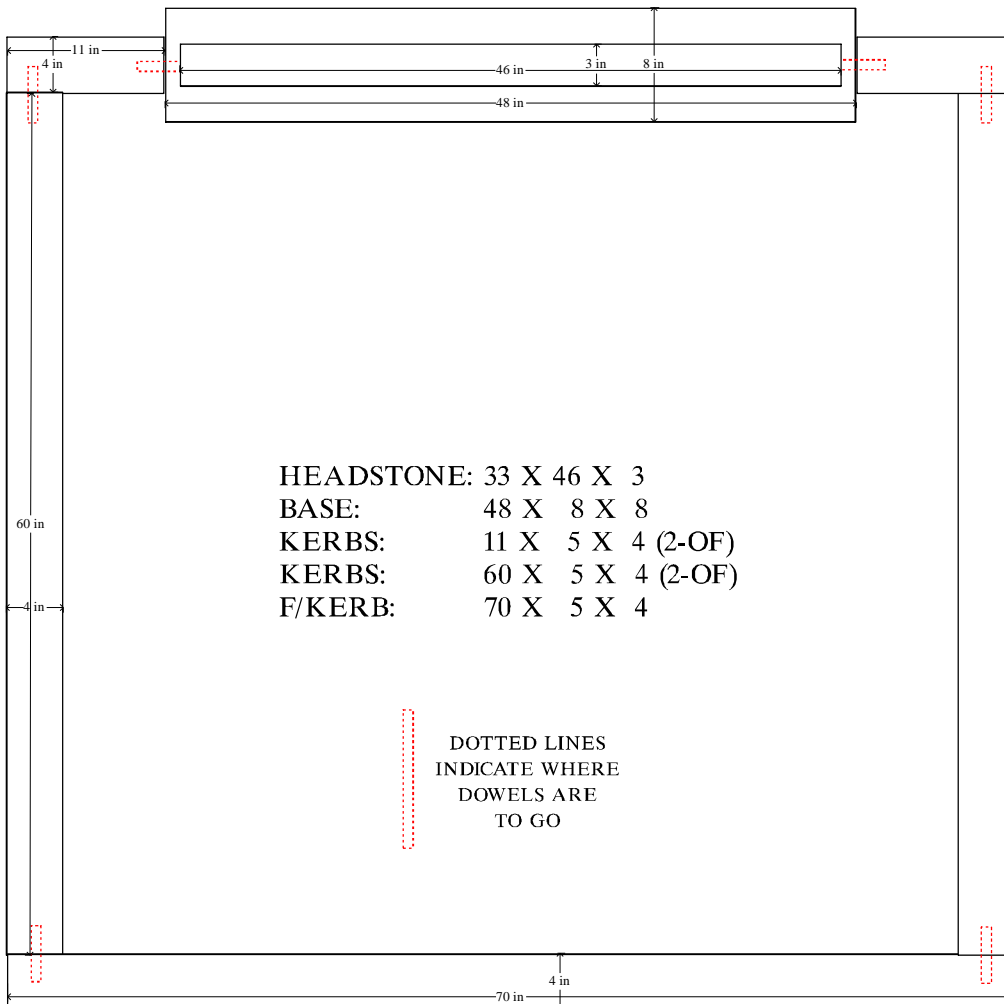
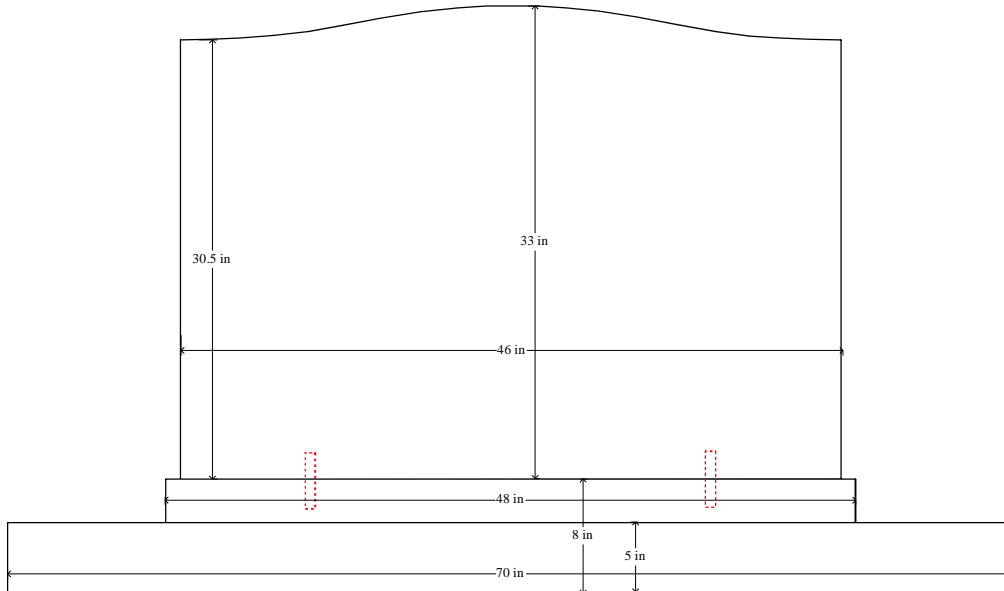
**Various Tops Available**



# J9 - VARIOUS TOPS (8" BASE)

Print-out dated 23. 3. 2016

Various Tops Available



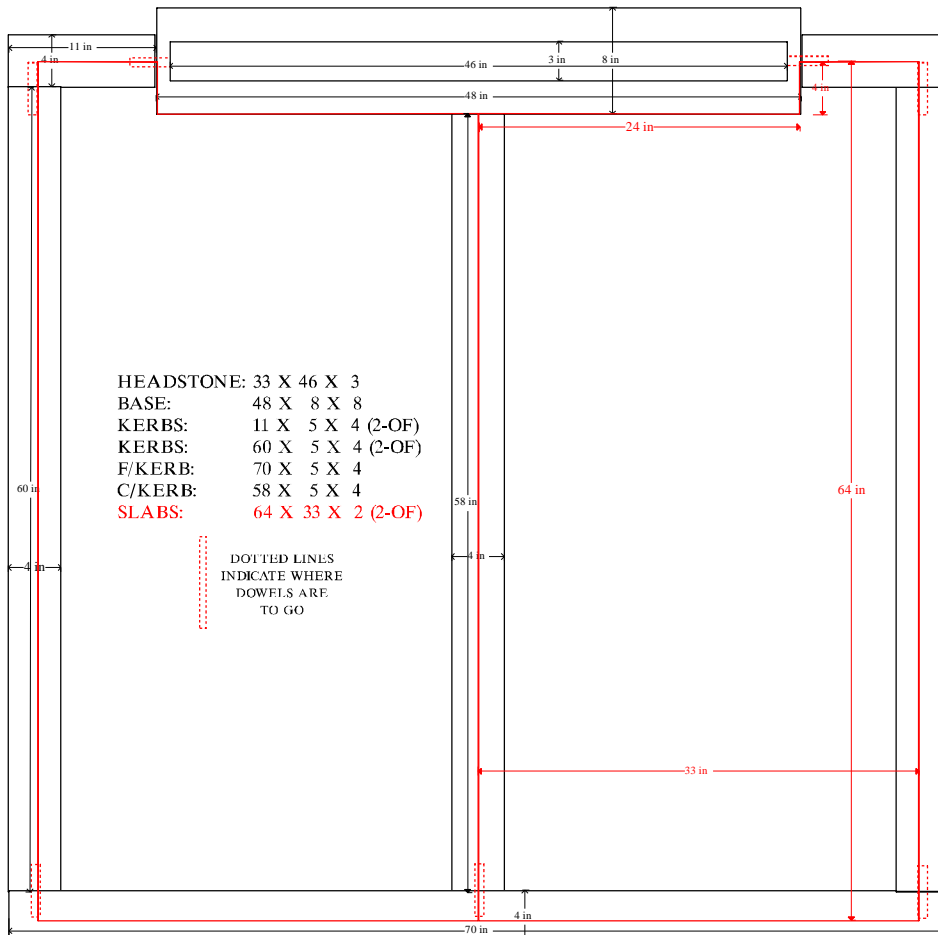
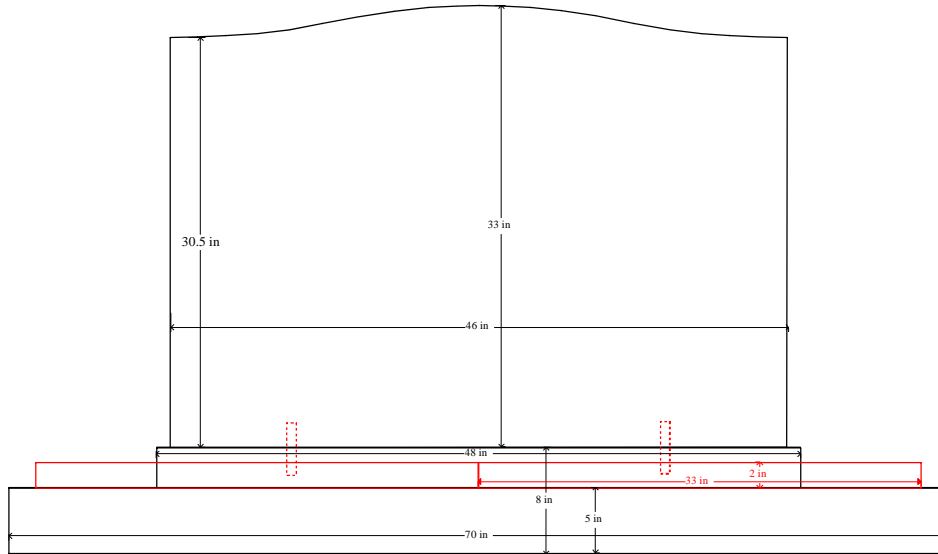
HEADSTONE: 33 X 46 X 3  
 BASE: 48 X 8 X 8  
 KERBS: 11 X 5 X 4 (2-OF)  
 KERBS: 60 X 5 X 4 (2-OF)  
 F/KERB: 70 X 5 X 4

DOTTED LINES  
 INDICATE WHERE  
 DOWELS ARE  
 TO GO

**J9a - VARIOUS TOPS (WITH COVERS)**

Print-out dated 23. 3. 2016

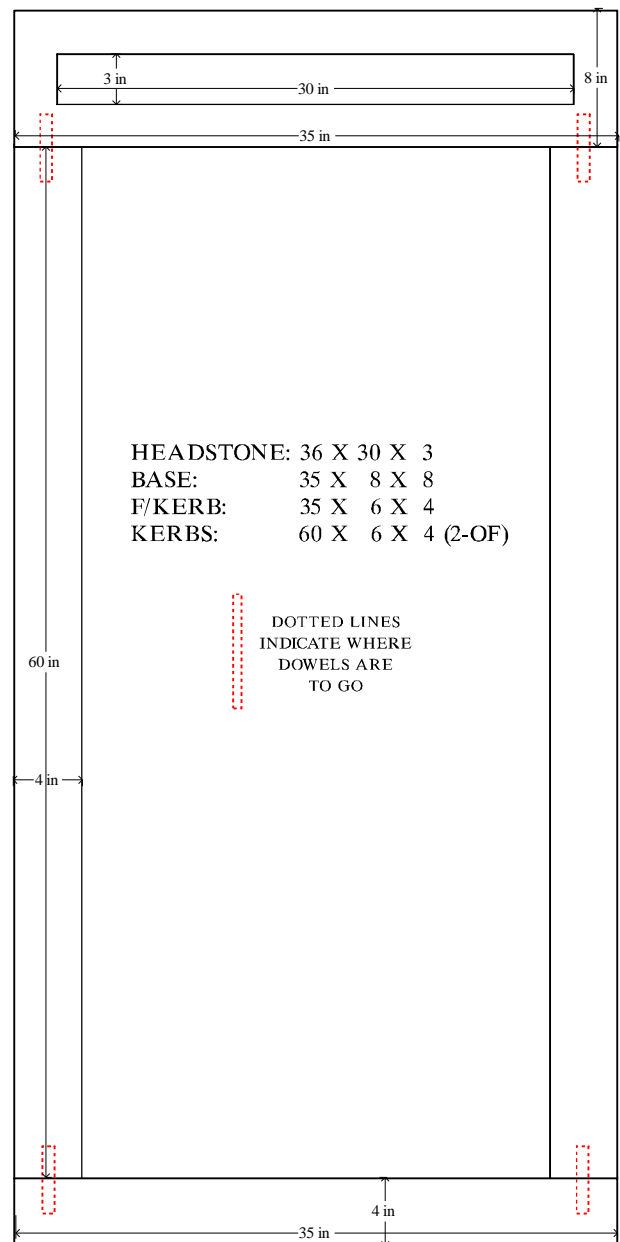
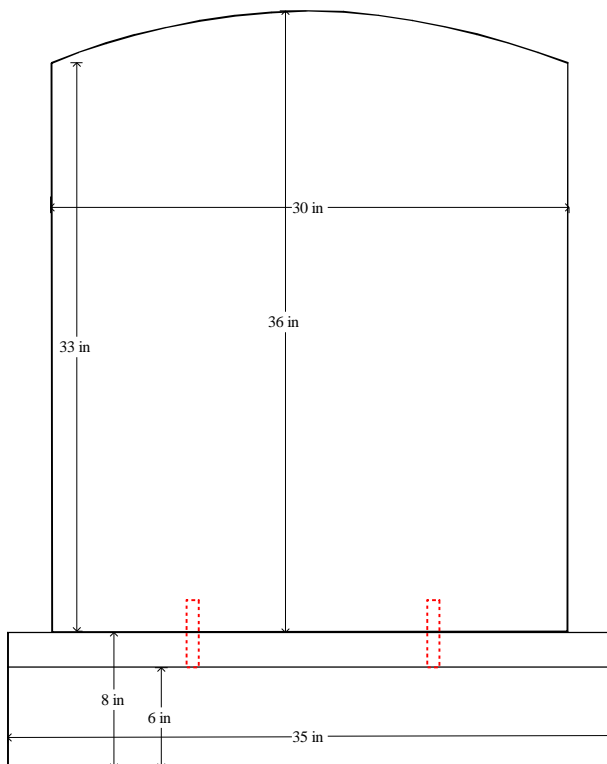
Various Tops Available



# J10 - VARIOUS TOPS

Print-out dated 23. 3. 2016

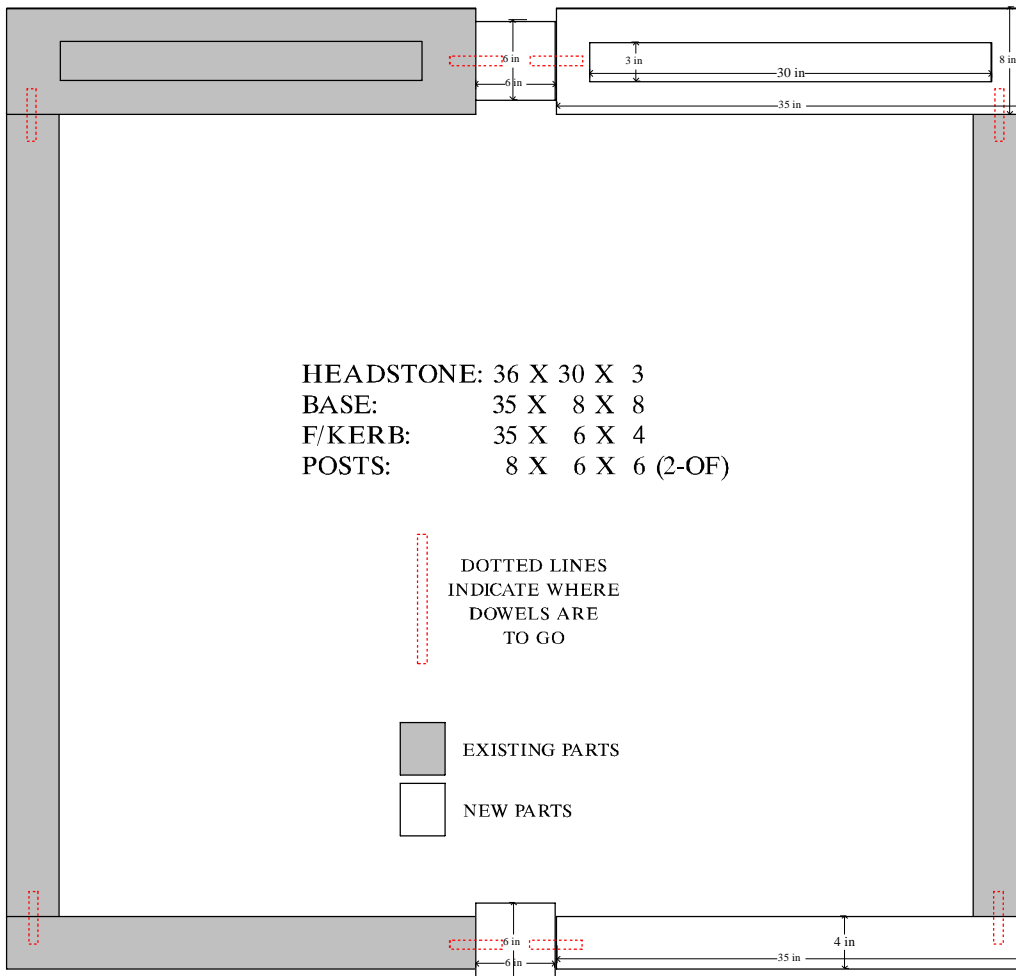
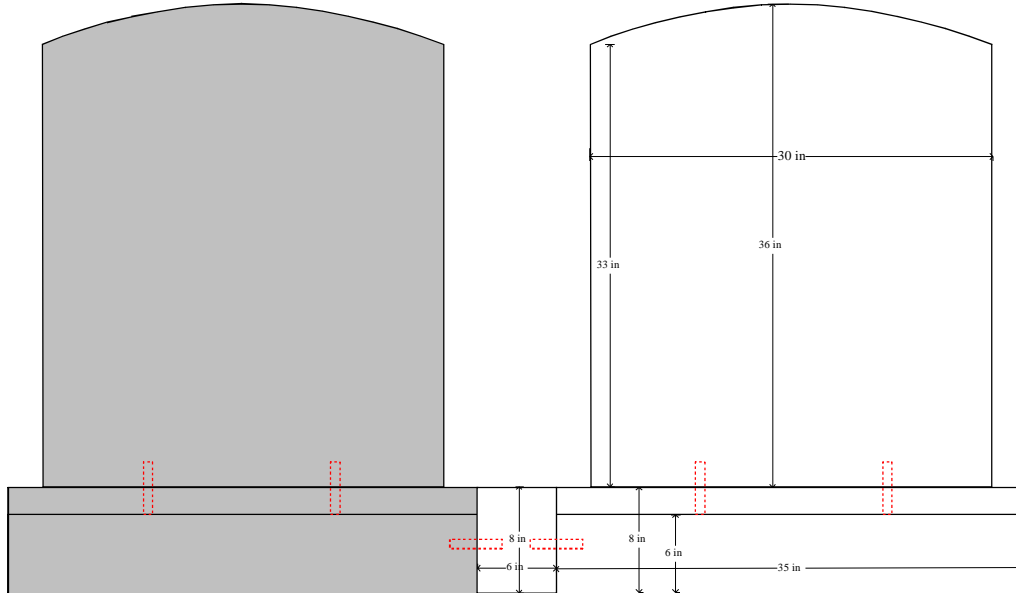
Various Tops Available



# J10 EXTENSION - VARIOUS TOPS


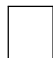
Print-out dated 23. 3. 2016

Various Tops Available



HEADSTONE: 36 X 30 X 3  
 BASE: 35 X 8 X 8  
 F/KERB: 35 X 6 X 4  
 POSTS: 8 X 6 X 6 (2-OF)

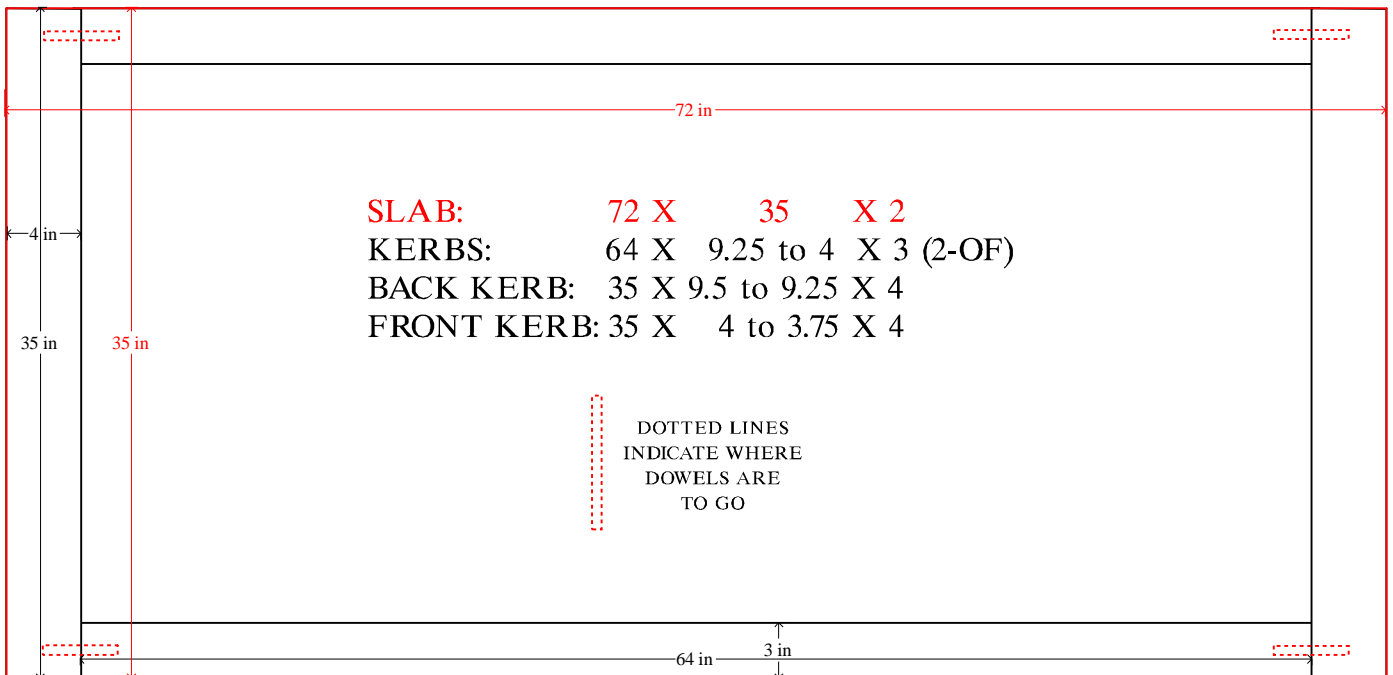
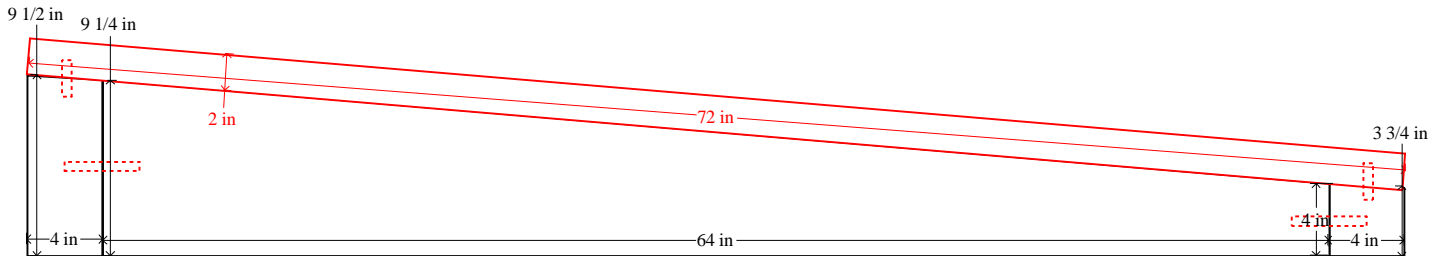
DOTTED LINES  
 INDICATE WHERE  
 DOWELS ARE  
 TO GO

 EXISTING PARTS  
 NEW PARTS



**J11 - SLOPED KERBS AND COVER**

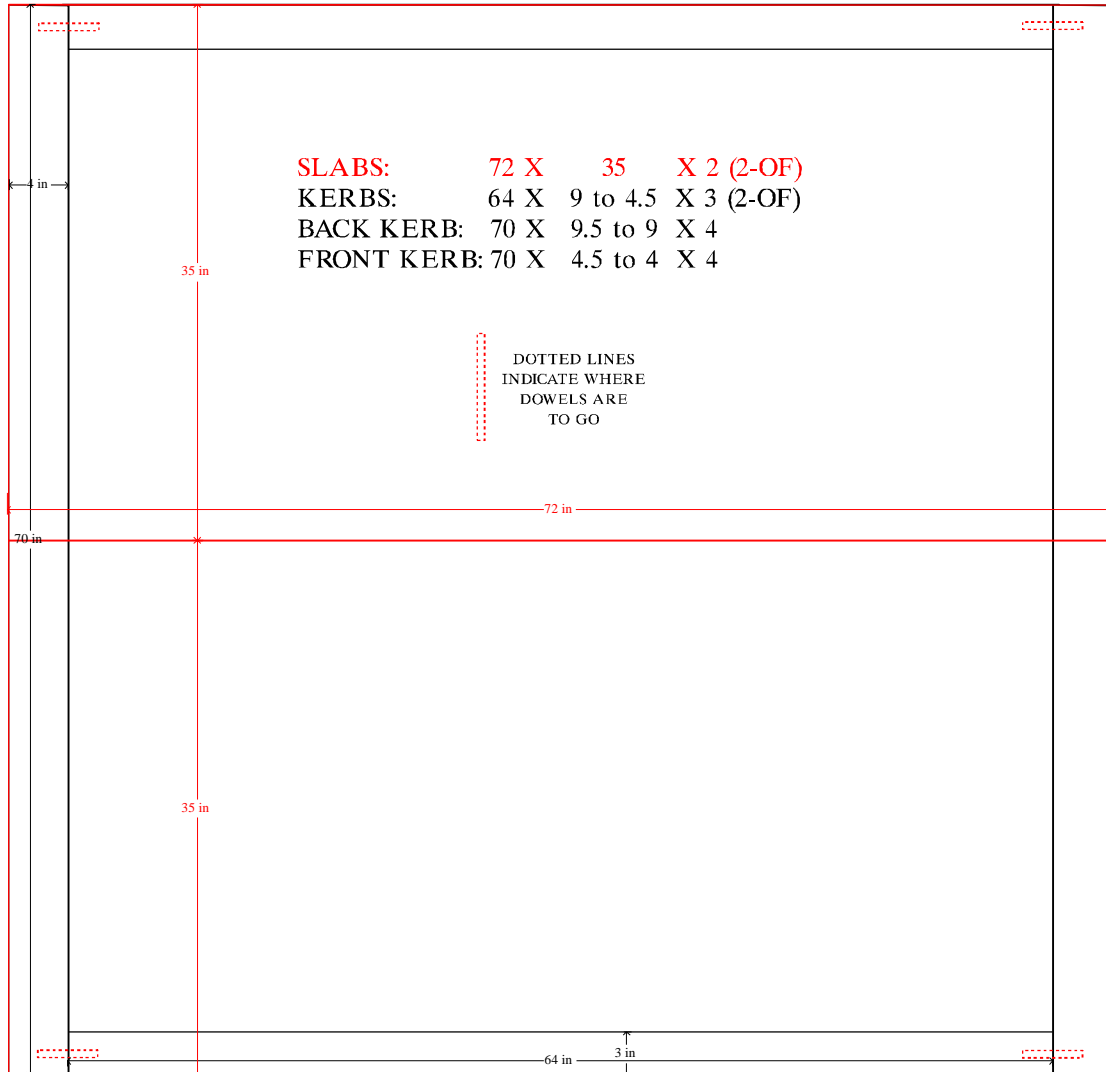
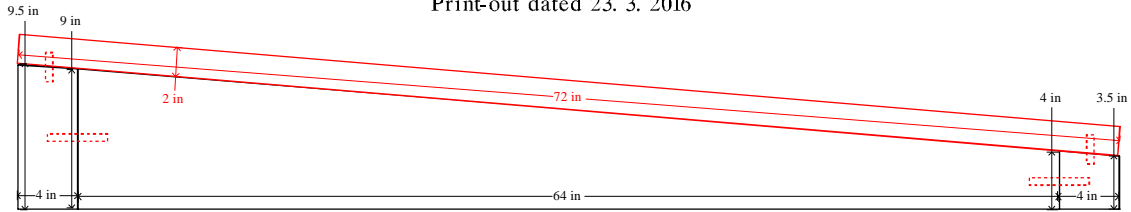
Print-out dated 23. 3. 2016



**MEMORIAL WHOLESALE DIVISION  
SPECIFICATION SHEET**

**J11a - SLOPED KERBS AND DOUBLE COVER**

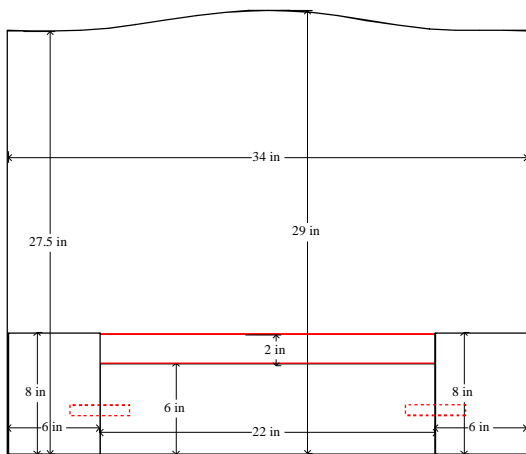
Print-out dated 23. 3. 2016



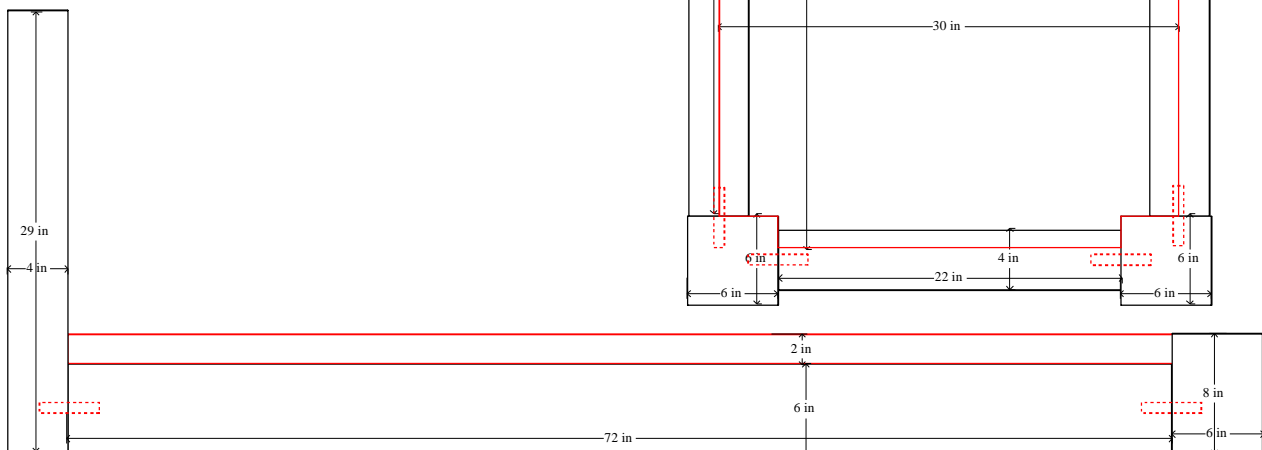
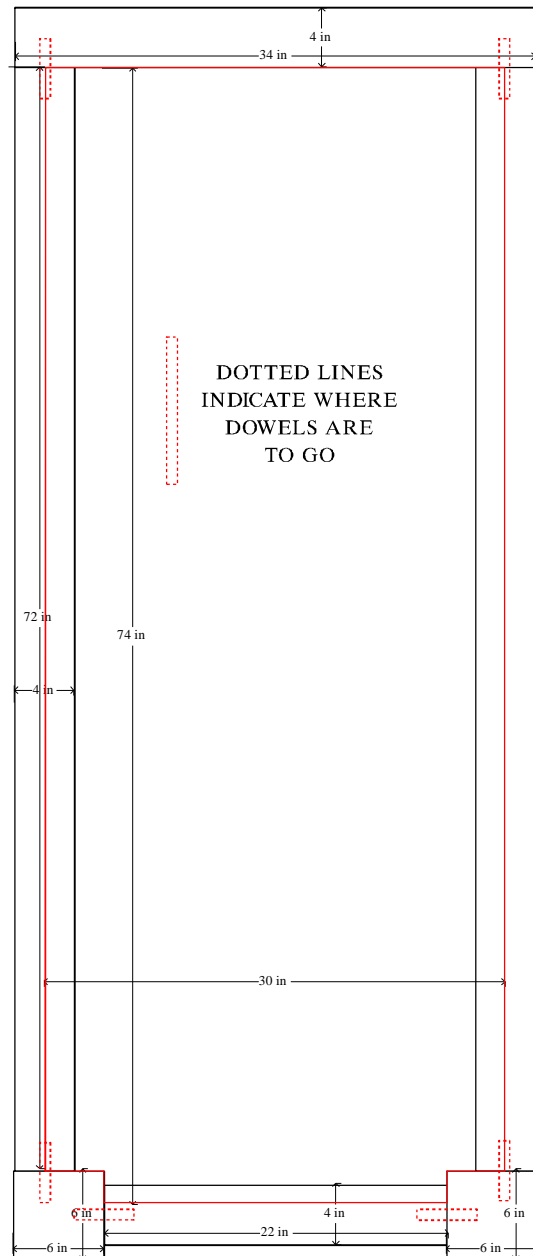
# J12 - VARIOUS TOPS WITH COVER AND POSTS

Print-out dated 23. 3. 2016  
(Harrogate)

## Various Tops Available



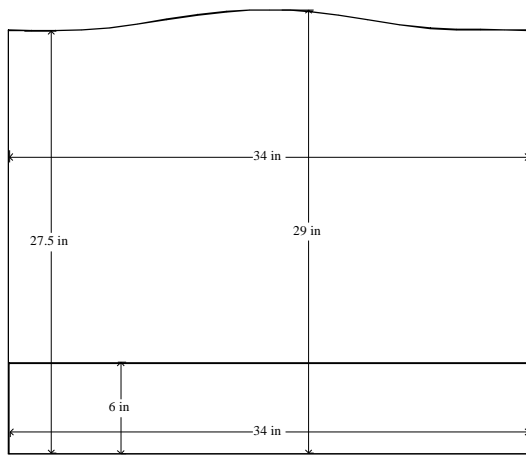
HEADSTONE: 29 X 34 X 4  
KERBS: 72 X 6 X 4 (2-OF)  
F/KERB: 22 X 6 X 4  
POSTS: 8 X 6 X 6 (2-OF)  
SLAB: 74 X 30 X 2



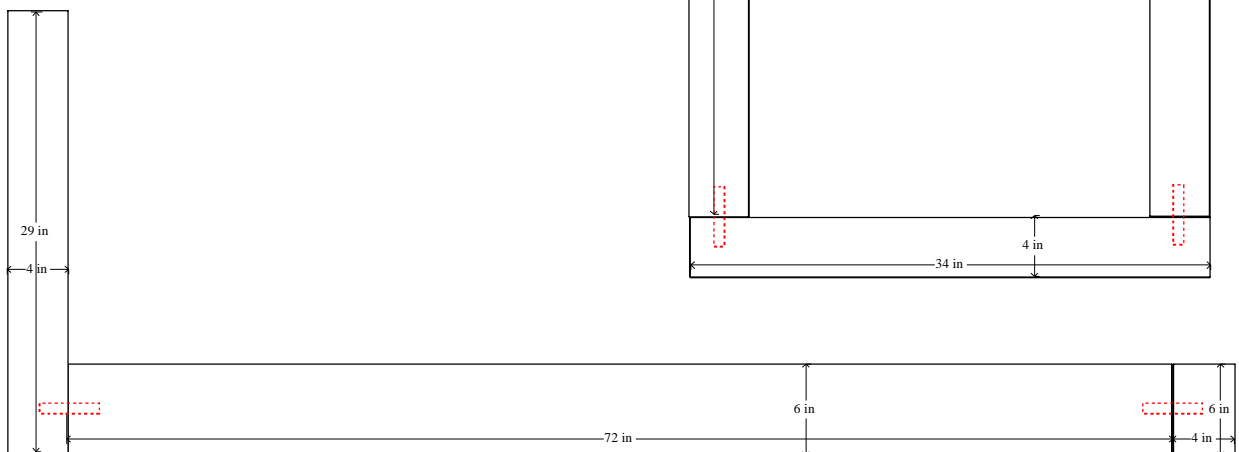
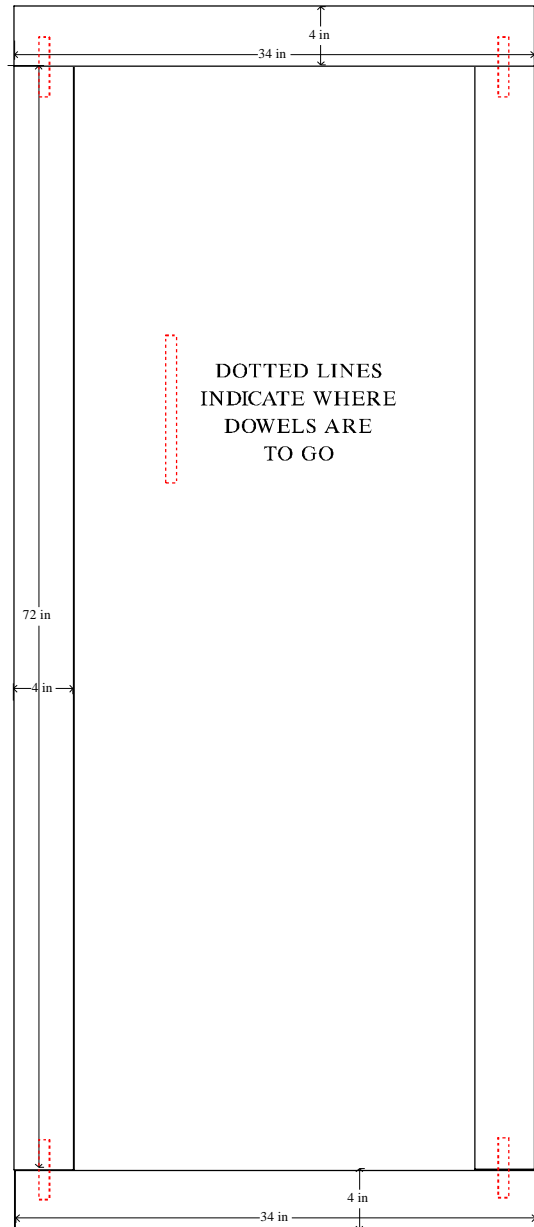
# J12a - VARIOUS TOPS

Print-out dated 23. 3. 2016

## Various Tops Available

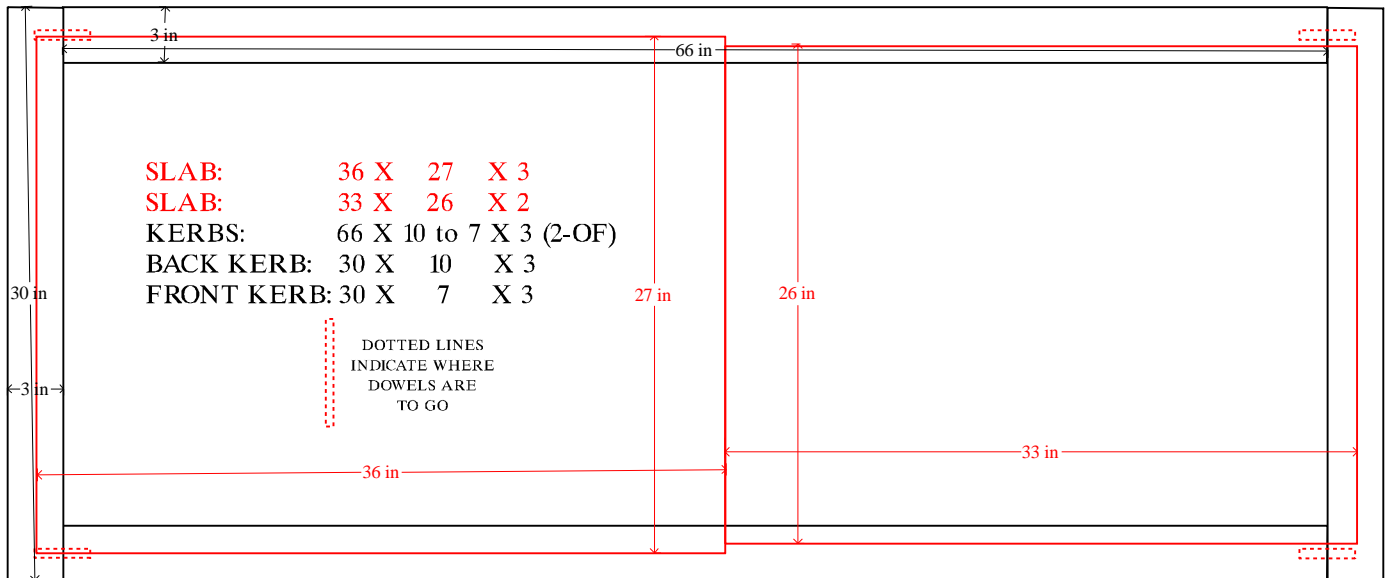
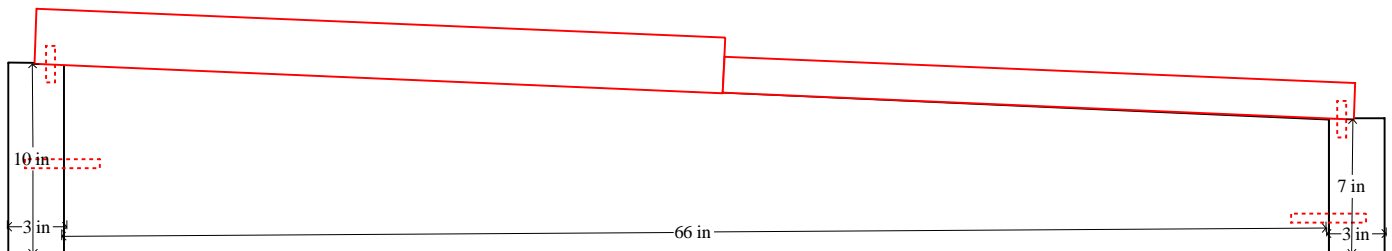


HEADSTONE: 29 X 34 X 4  
 KERBS: 72 X 6 X 4 (2-OF)  
 F/KERB: 34 X 6 X 4



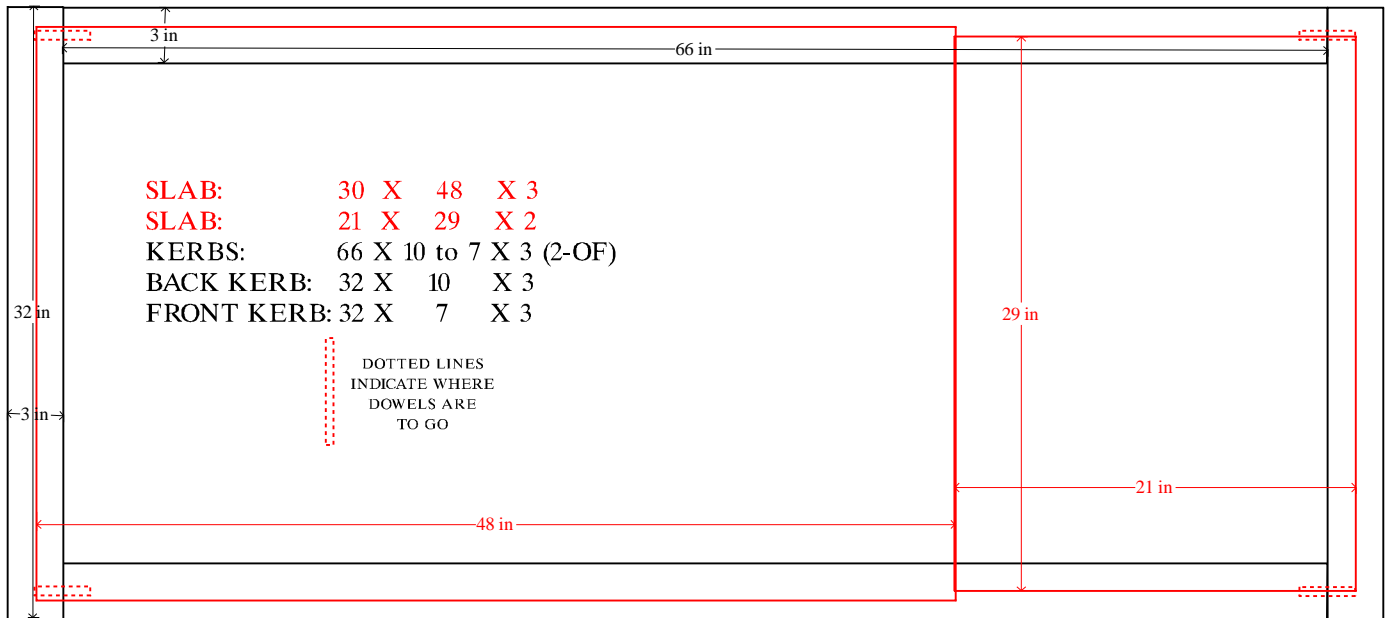
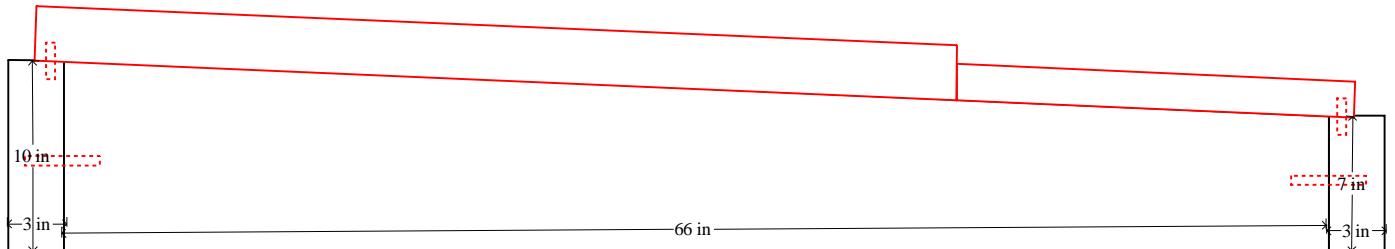
# J13 - SLOPED KERBS AND COVERS

Print-out dated 23. 3. 2016



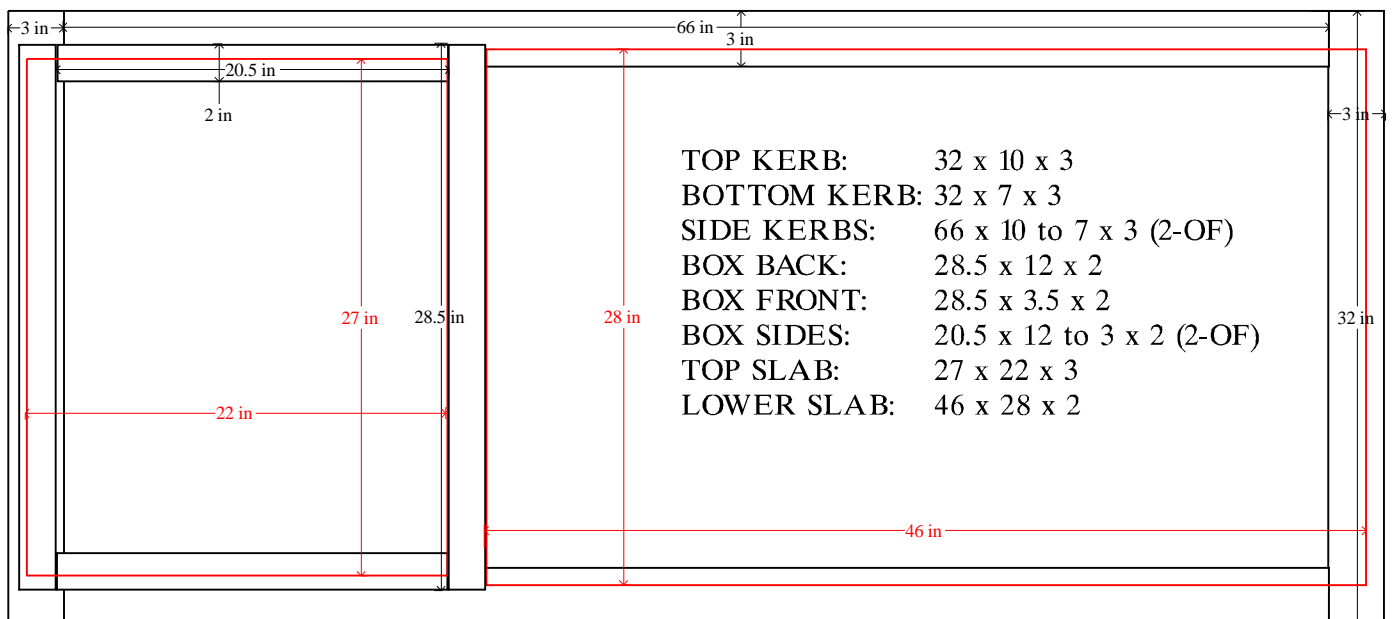
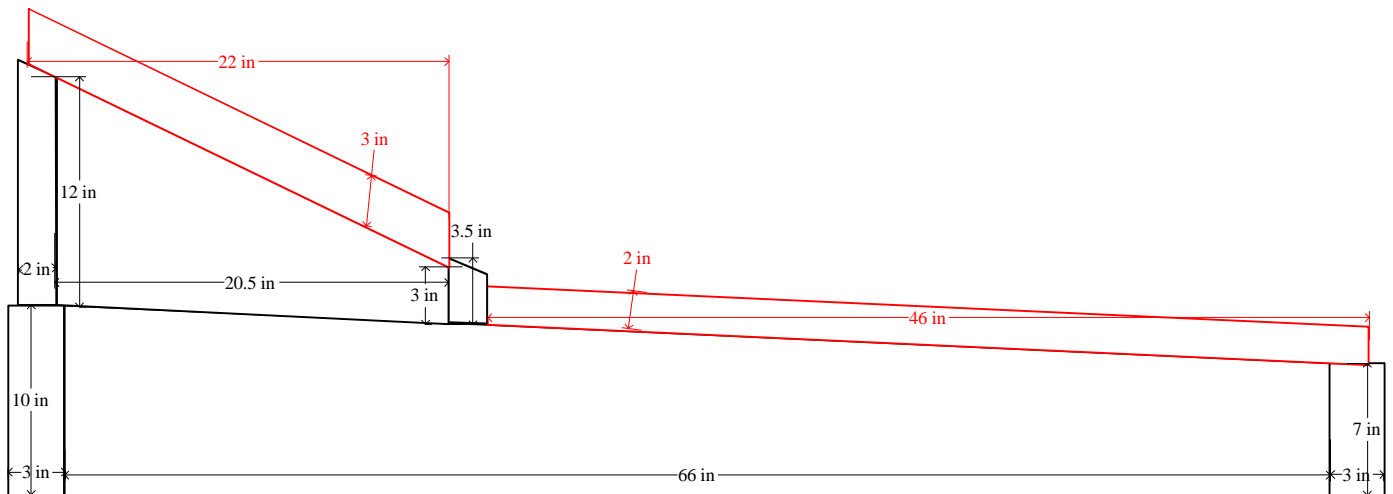
# J13a - SLOPED KERBS AND SLABS

Print-out dated 23. 3. 2016



# J14 - SLOPED KERBS, BOX AND COVERS

Print-out dated 23. 3. 2016

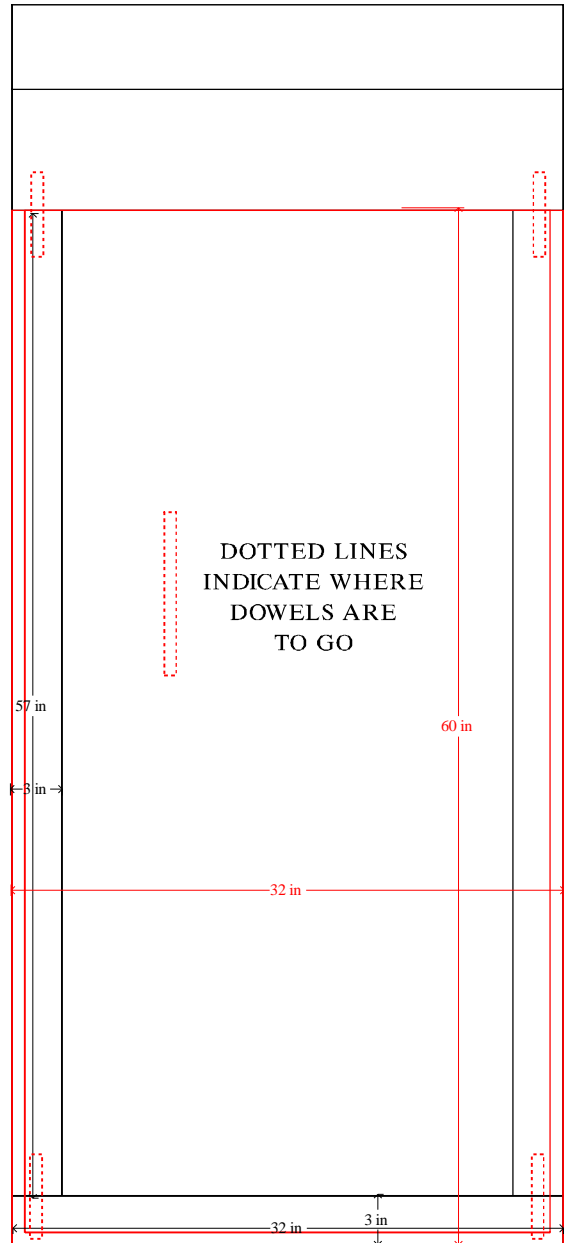
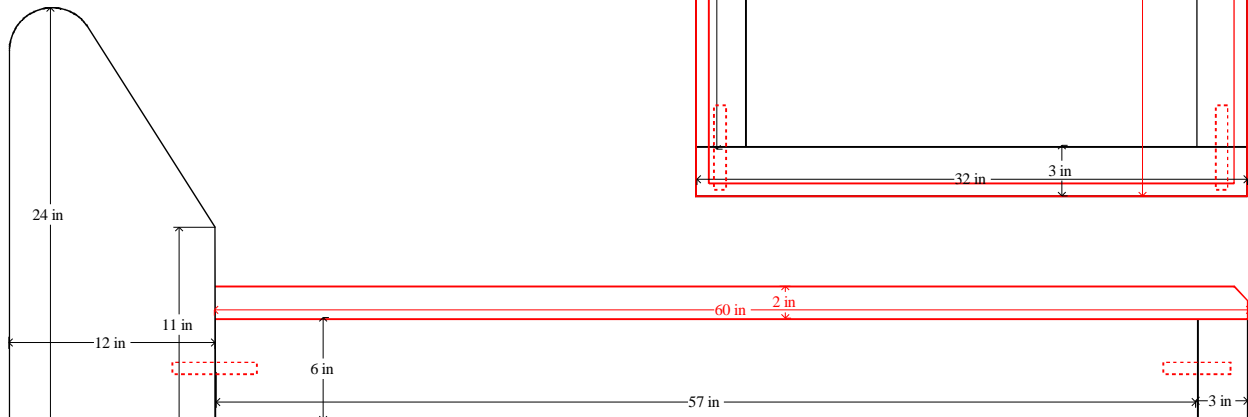
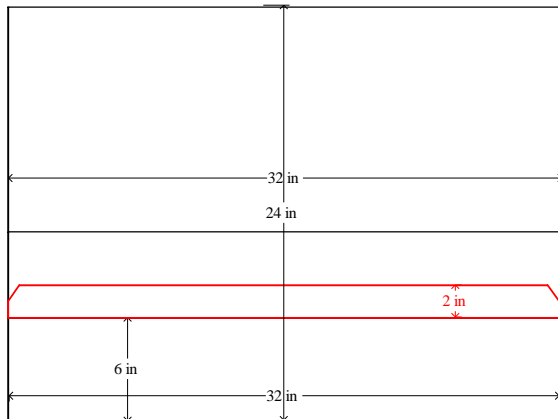


- TOP KERB: 32 x 10 x 3
- BOTTOM KERB: 32 x 7 x 3
- SIDE KERBS: 66 x 10 to 7 x 3 (2-OF)
- BOX BACK: 28.5 x 12 x 2
- BOX FRONT: 28.5 x 3.5 x 2
- BOX SIDES: 20.5 x 12 to 3 x 2 (2-OF)
- TOP SLAB: 27 x 22 x 3
- LOWER SLAB: 46 x 28 x 2

**J15 - BLOCK, KERBS AND COVER (1" CHAMFER)**

Print-out dated 23. 3. 2016

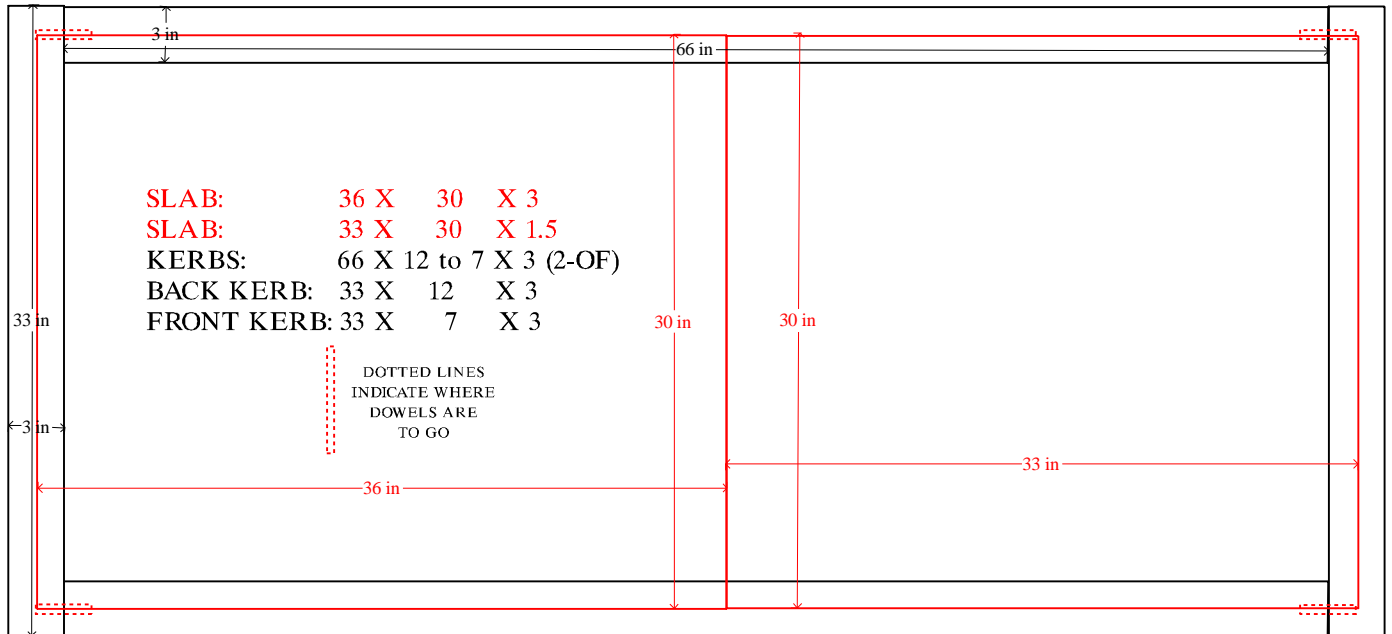
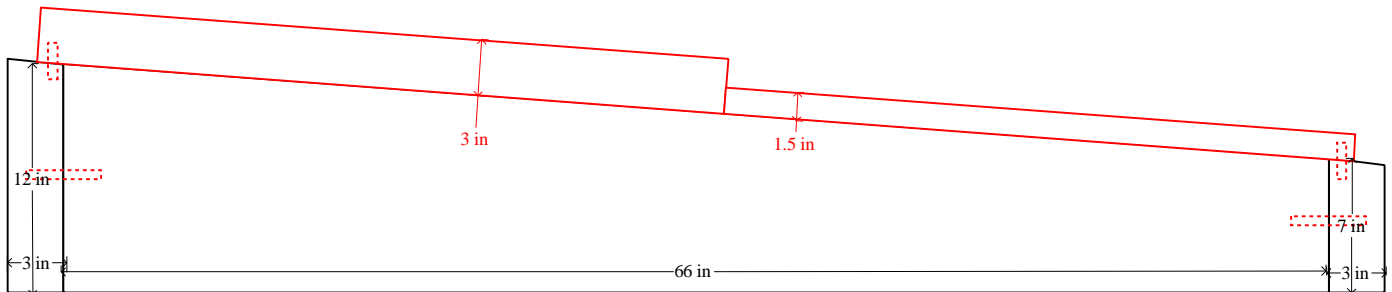
- BLOCK:** 24 X 32 X 12
- KERBS:** 57 X 6 X 3 (2-OF)
- KERB:** 32 X 6 X 3
- SLAB:** 60 X 32 X 2  
 (1" CHAMFER FRONT AND SIDES)





## J16 - SLOPED KERBS AND COVERS

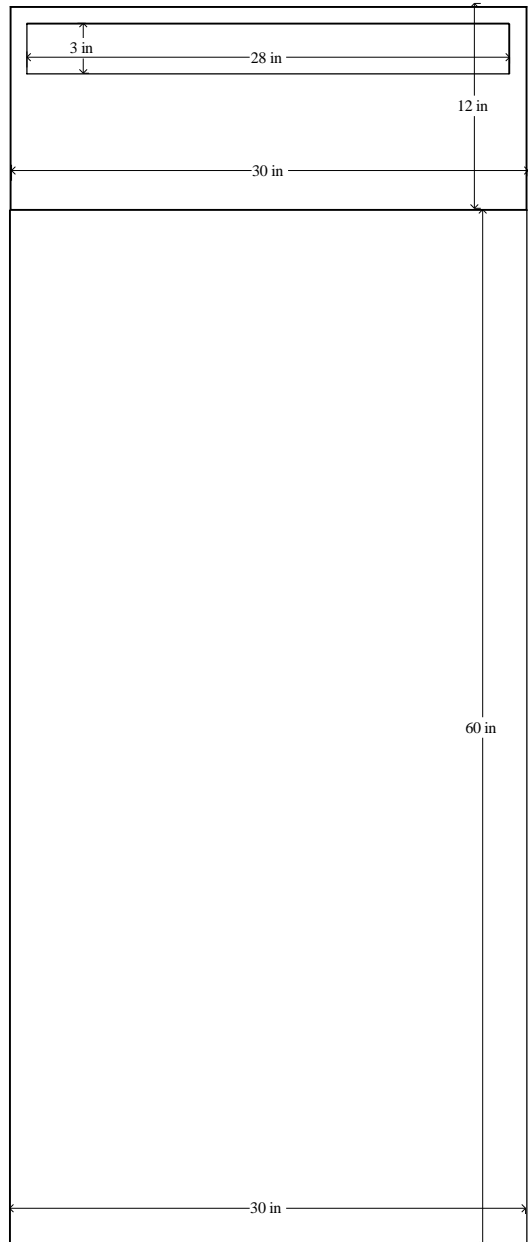
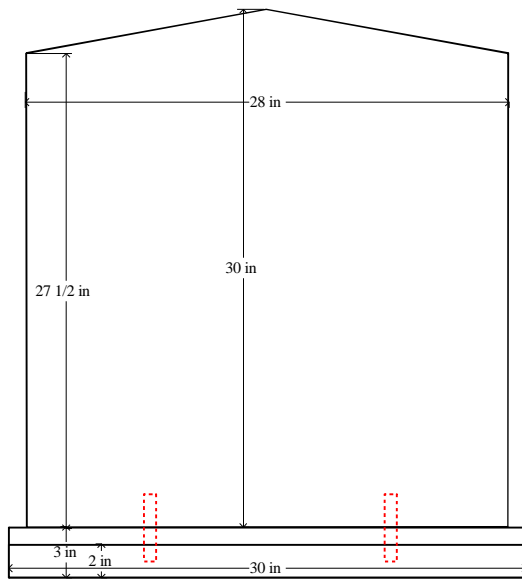
Print-out dated 23. 3. 2016



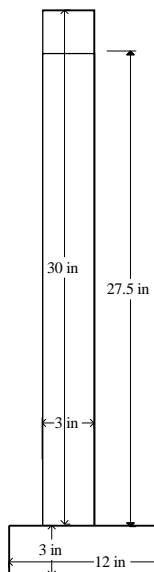
**J17 - DUNHAM BASE JOB**

Print-out dated 23. 3. 2016

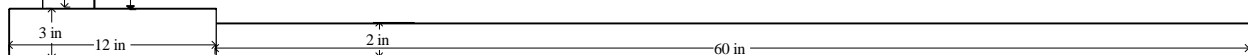
Various Tops Available



HEADSTONE: 30 X 28 X 3  
 BASE: 30 X 12 X 3  
 SLAB: 60 X 30 X 2

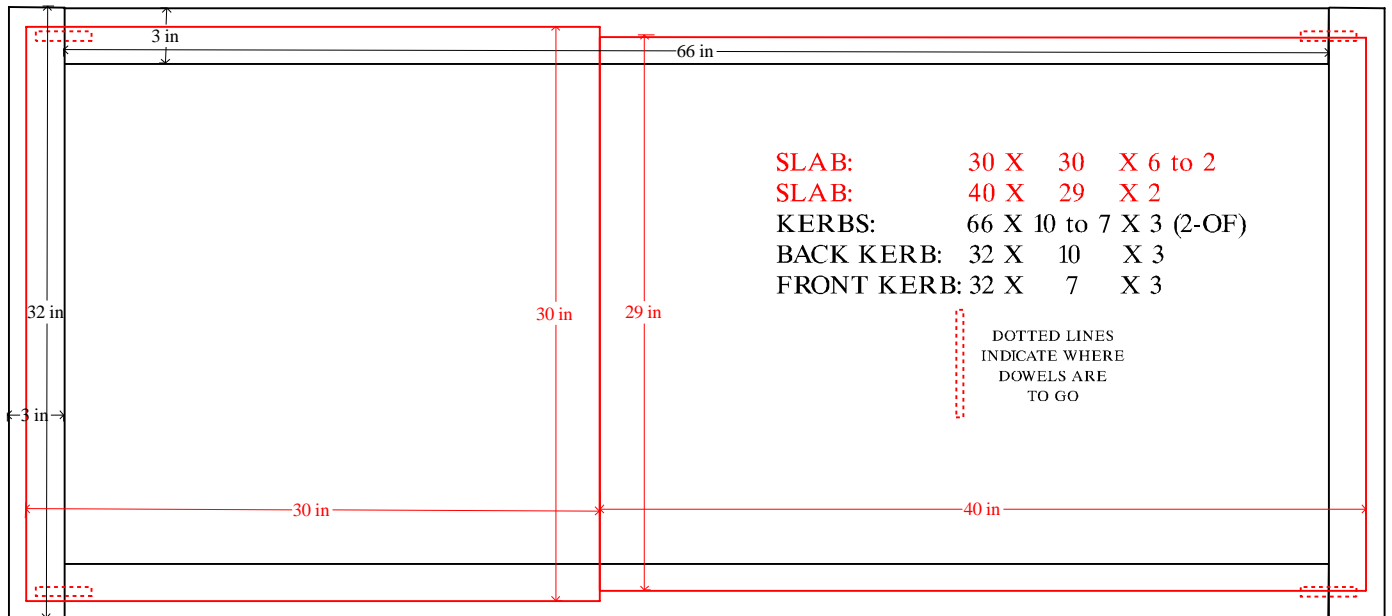
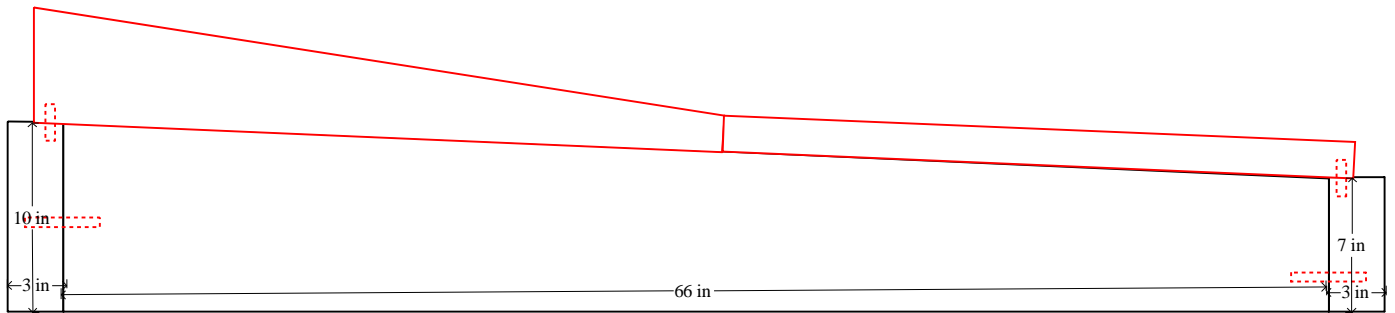


DOTTED LINES  
 INDICATE WHERE  
 DOWELS ARE  
 TO GO



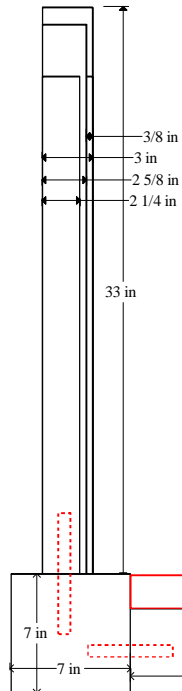
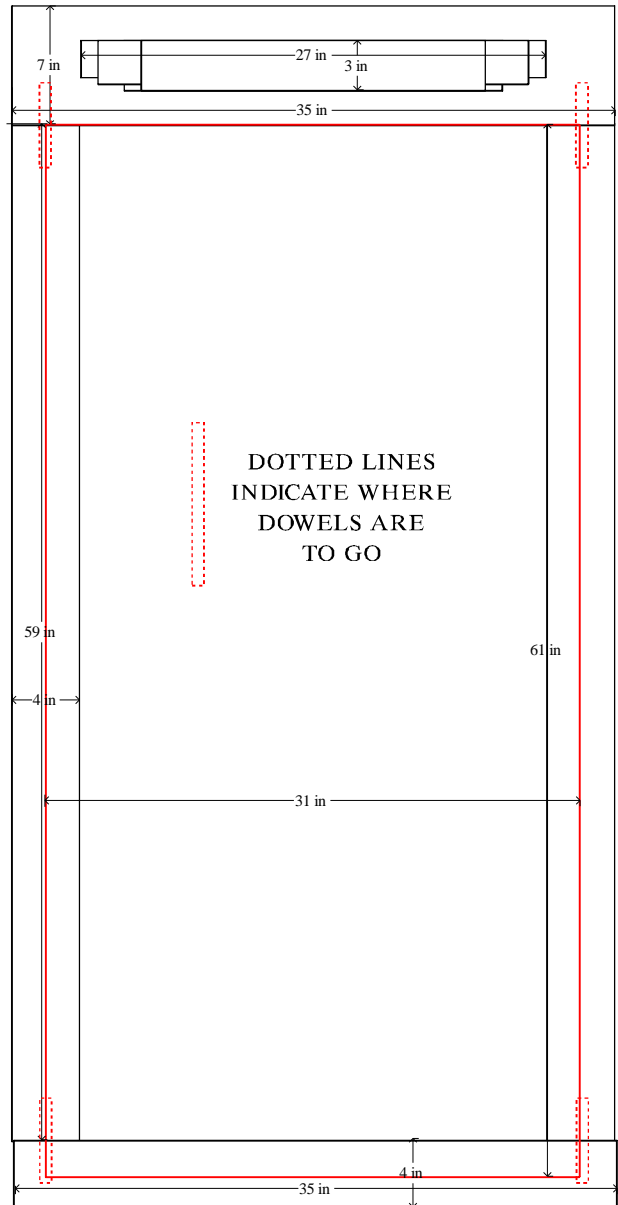
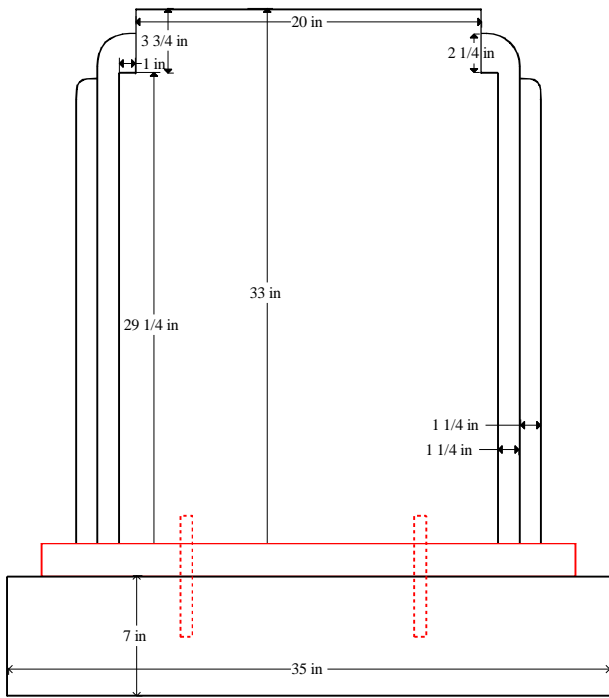
**J18 - SLOPED KERBS WITH WEDGE AND COVERS**

Print-out dated 23. 3. 2016

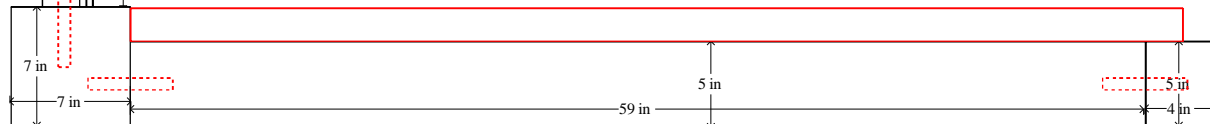


# J19 - CUSTOM SHAPE WITH KERBS AND SLAB

Print-out dated 23. 3. 2016



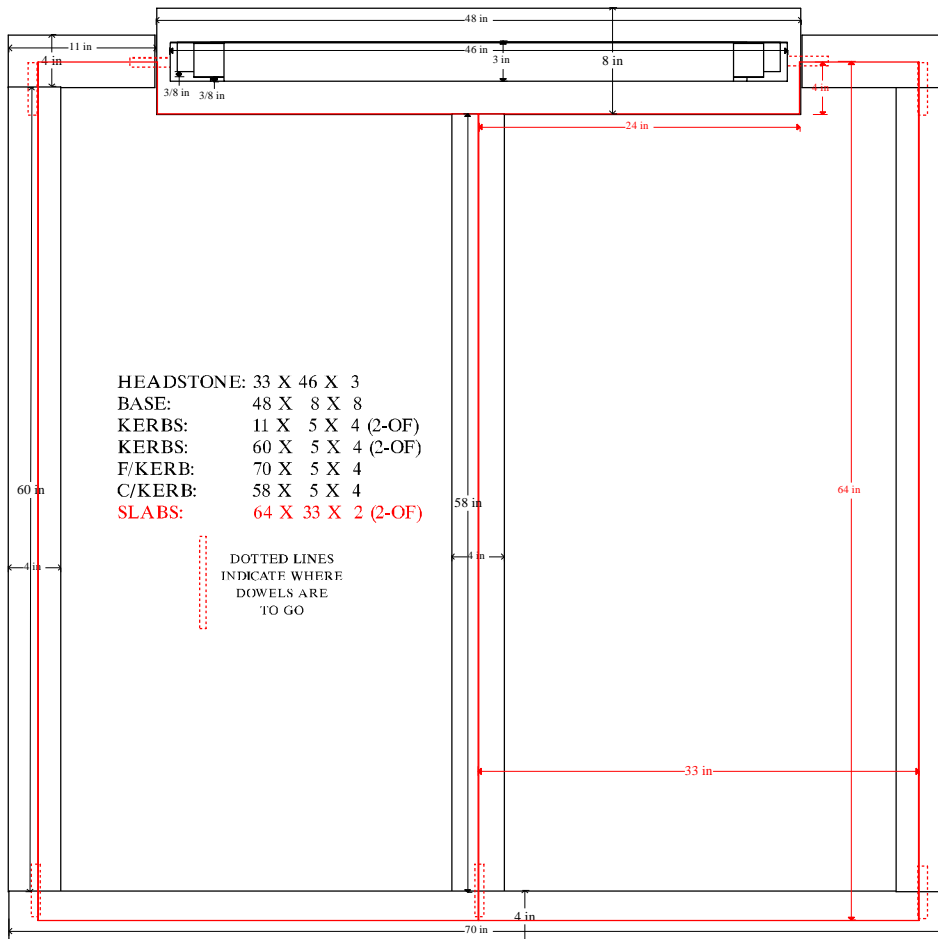
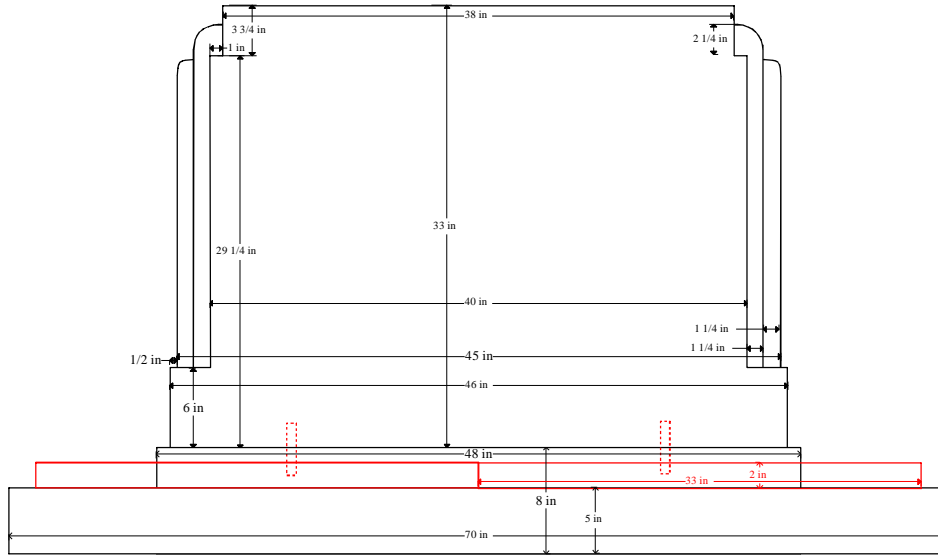
HEADSTONE: 33 X 27 X 3  
 BASE: 35 X 7 X 7  
 KERBS: 59 X 5 X 4 (2-OF)  
 KERB: 35 X 5 X 4  
 SLAB: 61 X 31 X 2



**J19a - CUSTOM TOP (WITH COVERS)**

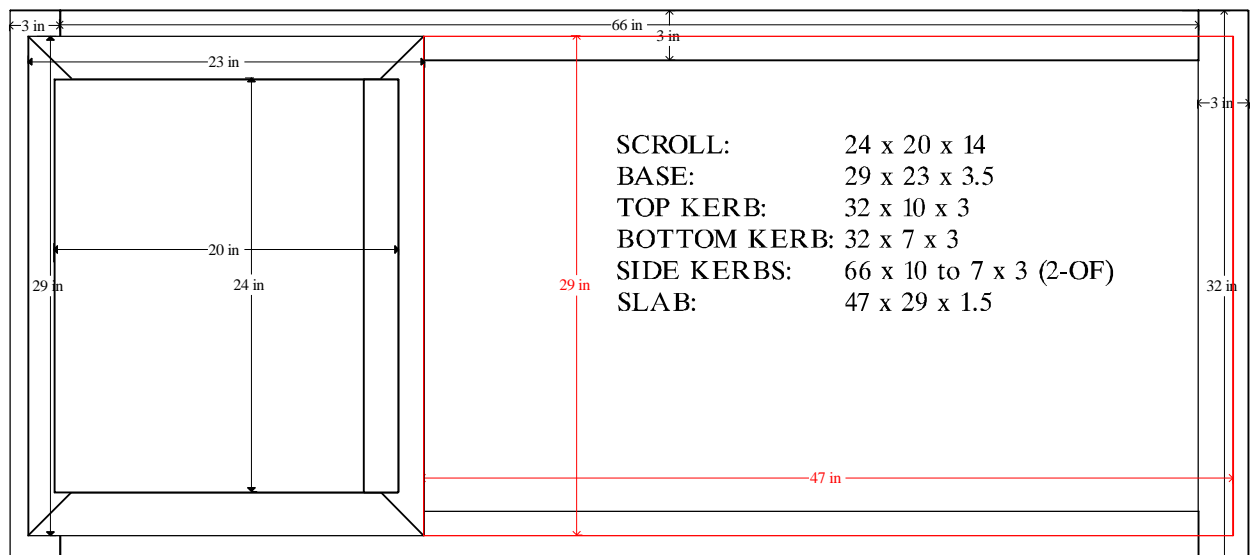
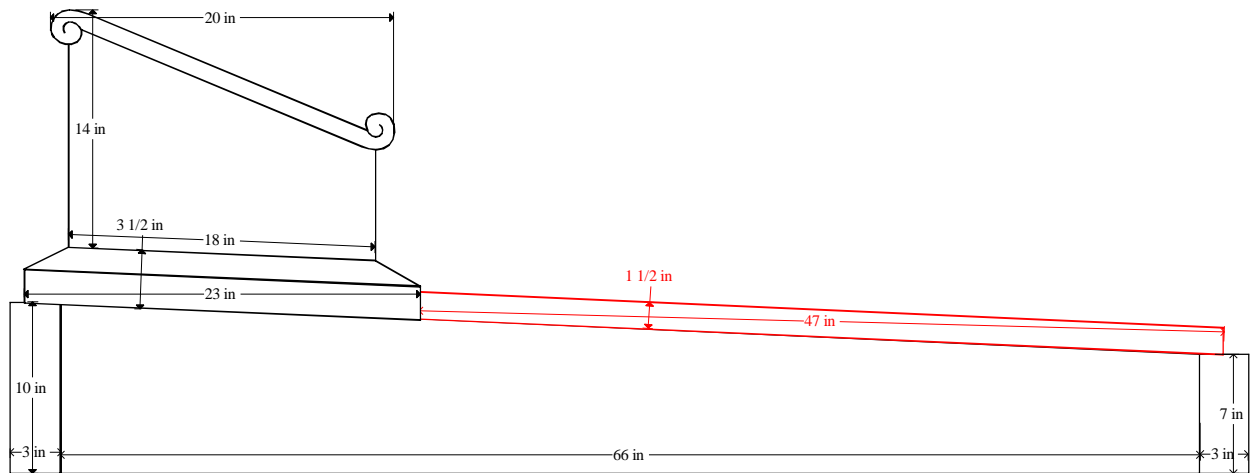
Print-out dated 7. 6. 2016

Various Tops Available



## J20 - SCROLL, KERBS AND SLAB

Print-out dated 23. 3. 2016

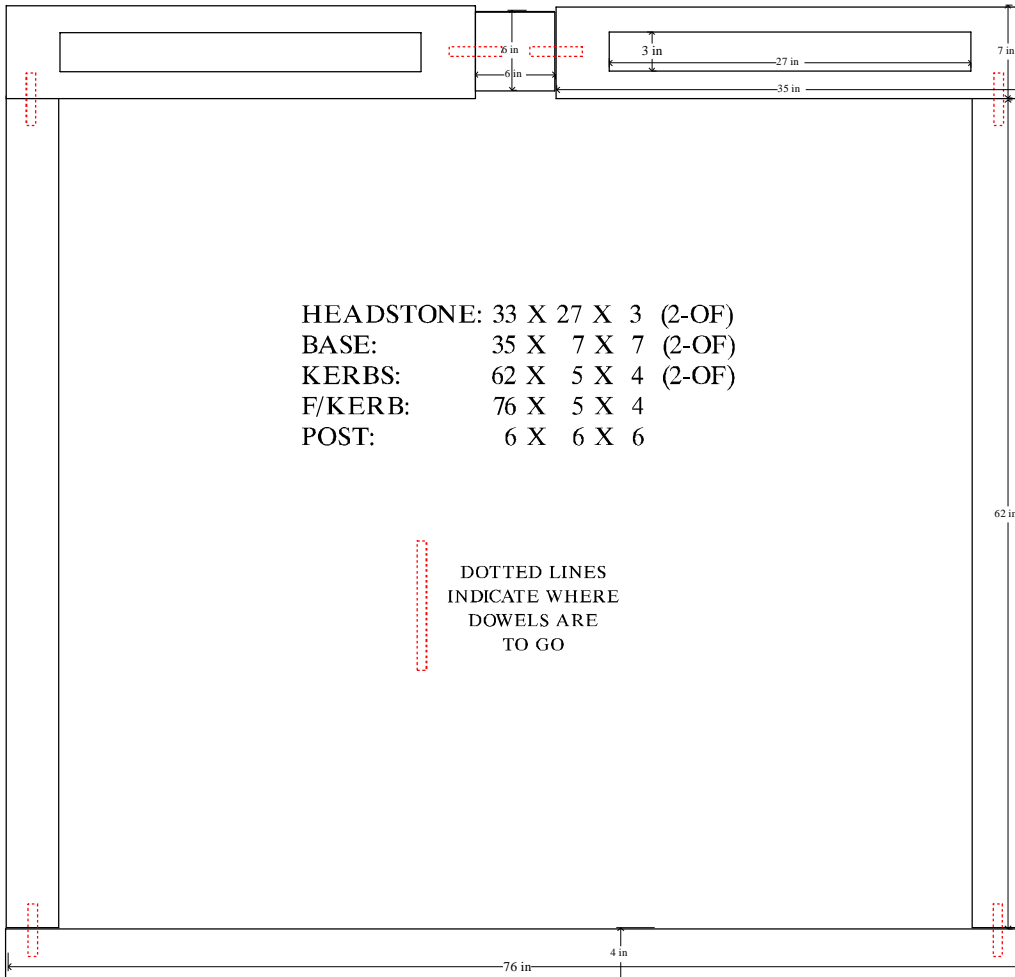
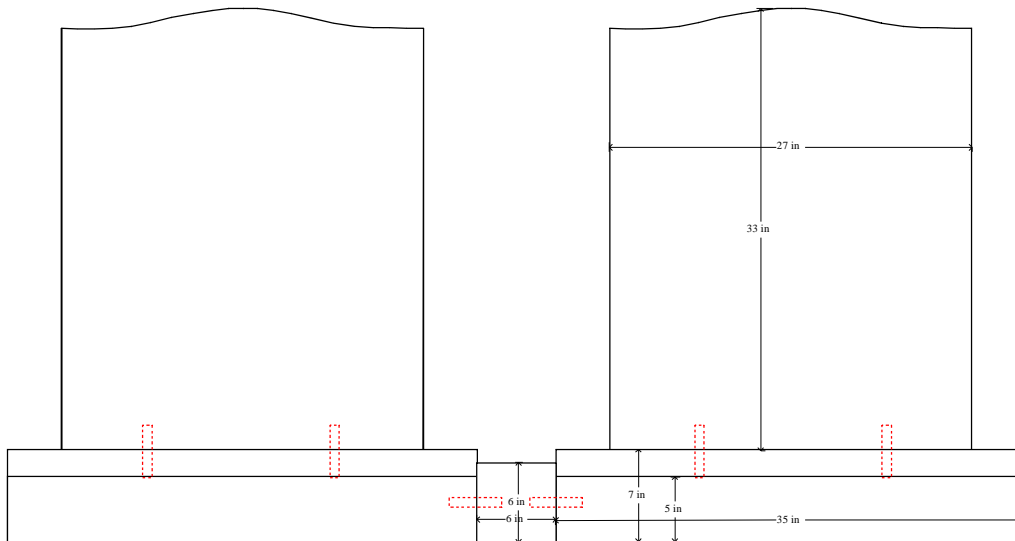


**MEMORIAL WHOLESALE DIVISION  
 SPECIFICATION SHEET**

**J21 - VARIOUS TOPS - DOUBLE KERB SET**

Print-out dated 23. 3. 2016

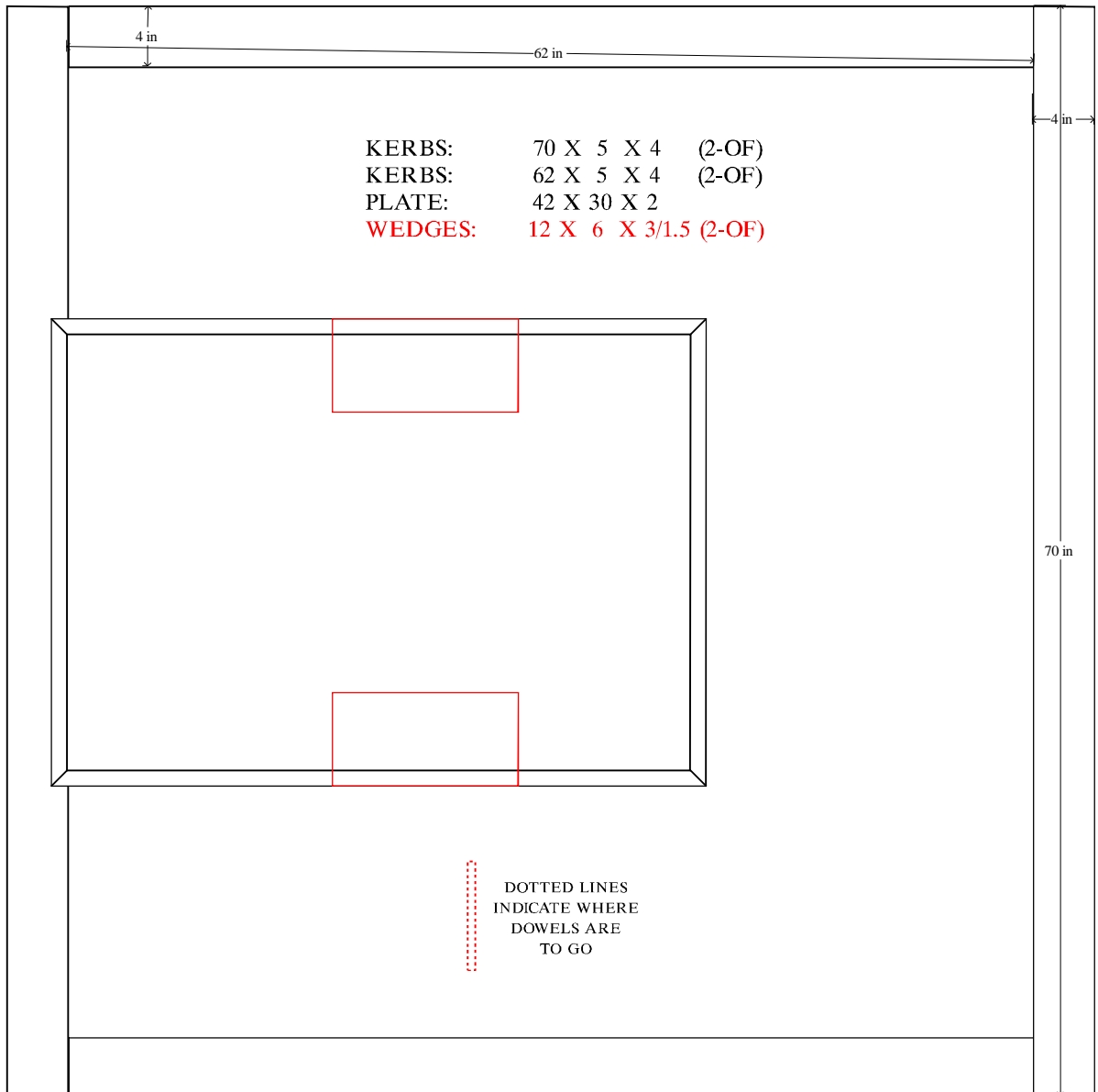
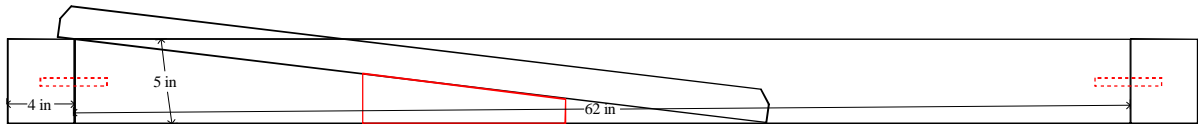
Various Tops Available



HEADSTONE: 33 X 27 X 3 (2-OF)  
 BASE: 35 X 7 X 7 (2-OF)  
 KERBS: 62 X 5 X 4 (2-OF)  
 F/KERB: 76 X 5 X 4  
 POST: 6 X 6 X 6

DOTTED LINES  
 INDICATE WHERE  
 DOWELS ARE  
 TO GO

J22 - KERBS AND PLATE  
Print-out dated 18. 4. 2016





## J23 - KERBS AND PLATE

Print-out dated 18. 4. 2016

